

# **OWNER'S MANUAL**

Model No. 62222E

**NOTICE:** READ CAREFULLY BEFORE OPERATING AND SAVE THESE INSTRUCTIONS.

**CAUTION:** TO AVOID THE RISK OF ELECTRIC SHOCK, DO NOT EXPOSE TO WATER OR RAIN.

**FOR INDOOR USE ONLY.**

**FOR HOUSEHOLD USE ONLY.**

## **WARNING:**

1. Motor run time should not exceed 10 minutes. Operator should allow motor to cool for 10 minutes between uses.
2. This appliance has a polarized plug (one blade is wider than the other). To reduce the risk of electric shock, this plug is intended to fit in a polarized outlet only one way, if the plug does not fit fully in the outlet, reverse the plug, if it still does not fit, contact a qualified electrician.

- Do not attempt to defeat this safety feature.
3. For adult use only.
  4. Inflation and deflation ports should be kept unobstructed during use.
  5. Product must be stored in a dry location.
  6. Please comply with local disposal codes when discarding the pump.
  7. If the supply cord is damaged, it must be replaced by the manufacturer, its service agent or similarly qualified persons in order to avoid a hazard.
  8. This appliance is not intended for use by persons (including children) with reduced physical, sensory or mental capabilities, or lack of experience and knowledge, unless they have been given supervision or instruction concerning use of the appliance by a person responsible for their safety. Children should be supervised to ensure that they do not play with the appliance. Cleaning and user maintenance shall not be made by children.

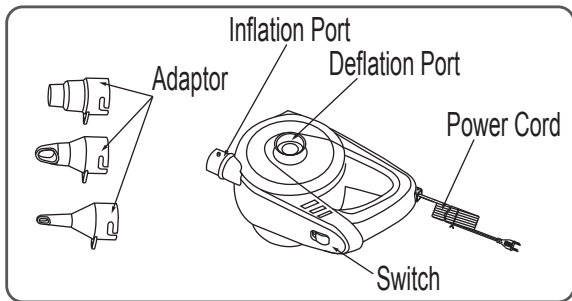
**NOTE 1:** Not all air valves can be deflated by the pump, some one-way valves require manual deflation.

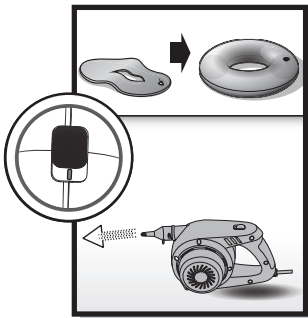
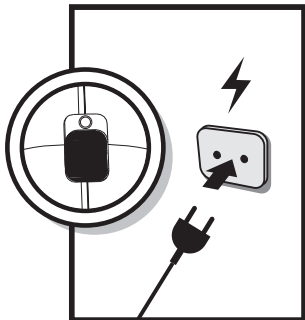
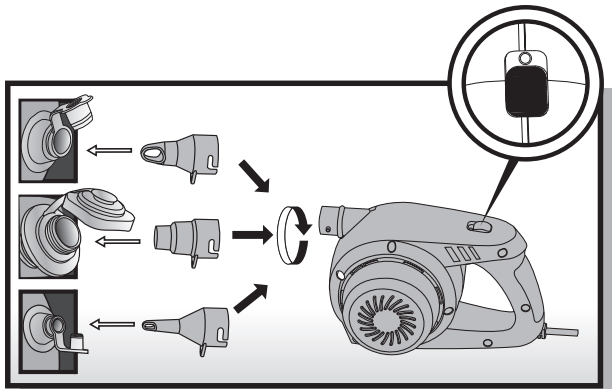
**NOTE 2:** Some items have a special air-tight inner safety valve, which prevents air loss. We recommend these items be deflated by simply unscrewing the valve instead of deflating with the pump.

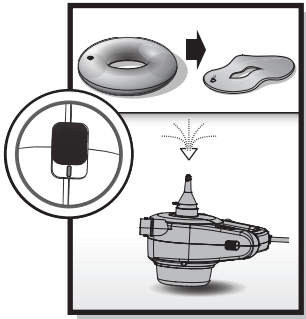
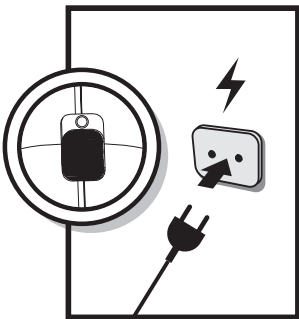
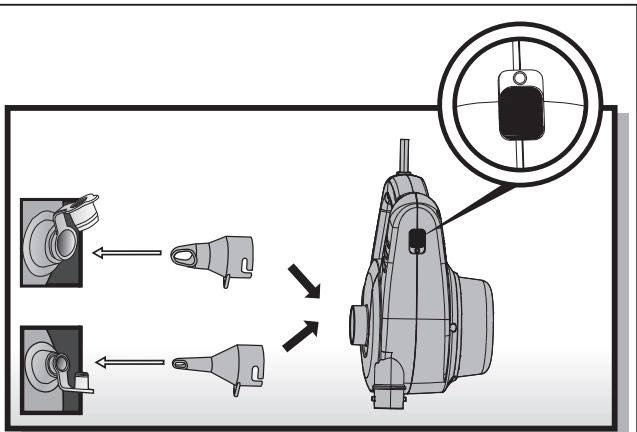
## **MAINTENANCE AND STORAGE**

**CAUTION: YOU MUST ENSURE THE PUMP IS UNPLUGGED BEFORE ANY MAINTENANCE BEGINS OR SEVERE RISK OF INJURY OR DEATH EXISTS.**

1. Use a dry cloth to gently clean all surfaces.
2. Store in a cool, dry place and out of children's reach.







**NOTE:** Drawings for illustration purpose only.  
May not reflect actual product. Not to scale.