

**Bestway®**

**15264E**

[www.bestwaycorp.com](http://www.bestwaycorp.com)

# OWNER'S MANUAL

**DUAL FUNCTION:** INFLATION & DEFLATION EXCLUSIVELY DESIGNED FOR BOUNCER.

**NOTICE:** READ CAREFULLY BEFORE OPERATING AND SAVE THESE INSTRUCTIONS.

**CAUTION:** TO AVOID THE RISK OF ELECTRIC SHOCK, DO NOT EXPOSE TO WATER OR RAIN.

**FOR INDOOR USE ONLY.  
HOUSEHOLD USE ONLY.**

## WARNING:

1. Unplug or disconnect the appliance from the power supply before using and servicing.
2. This appliance has a polarized plug (one blade is wider than the other). To reduce the risk of electric shock, this plug is intended to fit in a polarized outlet only one way, if the plug does not fit fully in the outlet, reverse the plug, if it still does not fit, contact a qualified electrician. Do not attempt to defeat this safety feature.
3. To reduce the risk of electric shock or injury, use indoors only.
4. Motor run time should not exceed 5 minutes. Operator should allow motor to cool for 5 minutes between uses.
5. Children are strictly prohibited from operating pump.
6. The air vent on the cover should be kept free of debris during use.
7. Product must be stored in a dry location.
8. Always keep the bouncer fully inflated when in use.
9. If the supply cord is damaged, it must be replaced by the manufacturer, its service agent or similarly qualified persons in order to avoid a hazard.
10. Adult assembly required.

**NOTE:** Drawings for illustration purpose only. May not reflect actual product. Not to scale.

## PRODUCT DESCRIPTION

Item	For children aged	Weight capacity	Configuration
15264E	3+	85kg/188lbs	One bouncer with built-in pump

## REPAIR

If a chamber is damaged, use the provided repair patch.

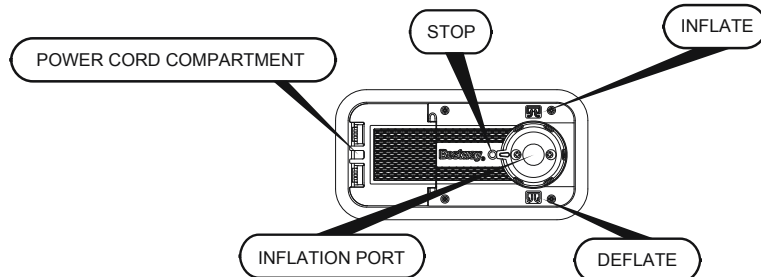
1. Clean area to be repaired.
2. Carefully peel patch.
3. Press patch over area to be repaired.
4. Wait 30 minutes before inflation.

## CLEANING AND STORING

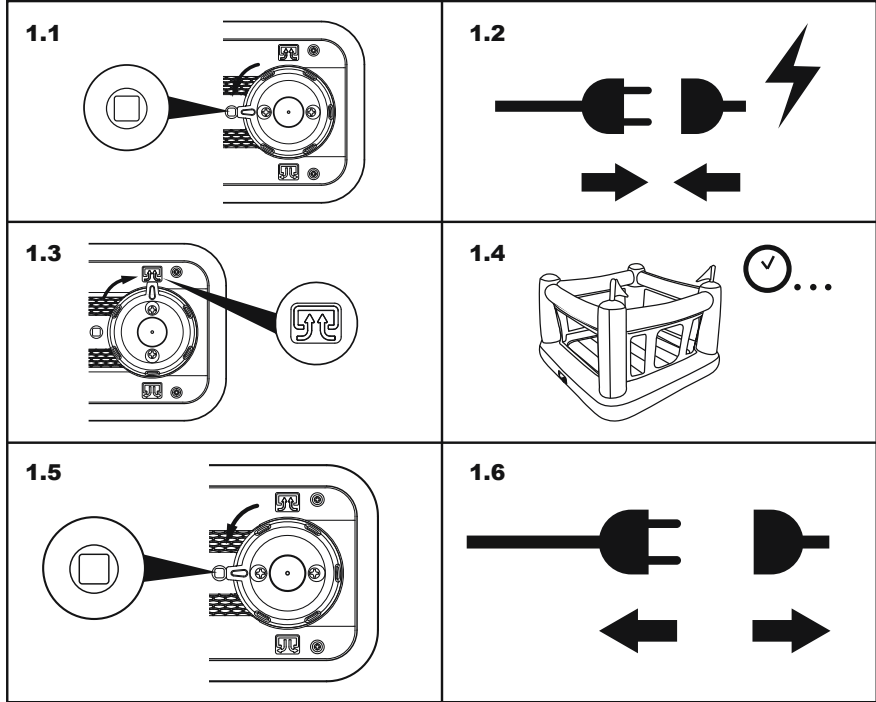
1. After deflation, use a damp cloth to gently clean all surfaces.

**NOTE:** Never use solvents or other chemicals that may damage the product.

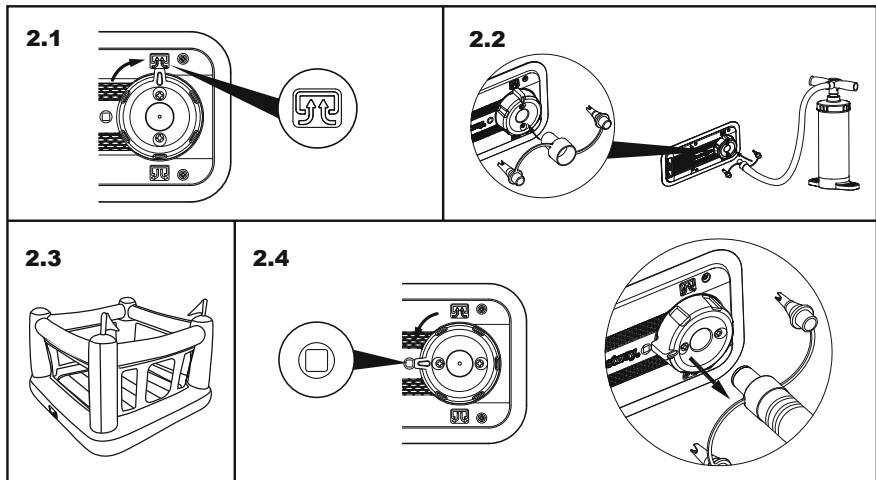
2. Store in a cool, dry place and out of children's reach.
3. Check the product for damage at the beginning of each season and at regular intervals when in use.



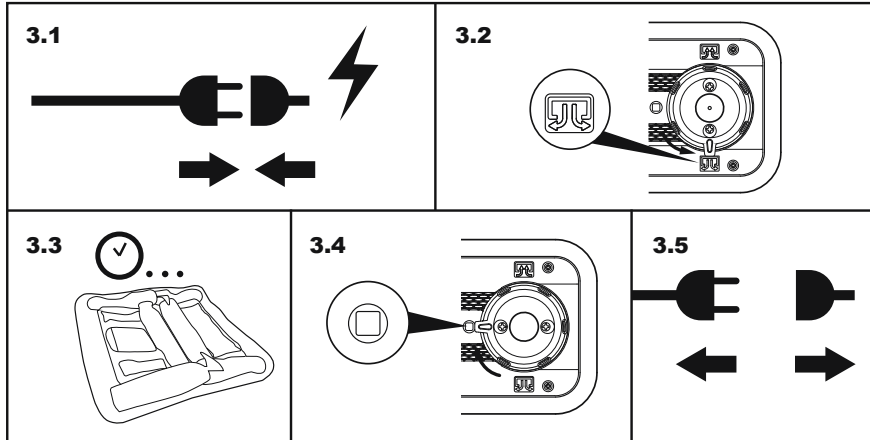
## INFLATION



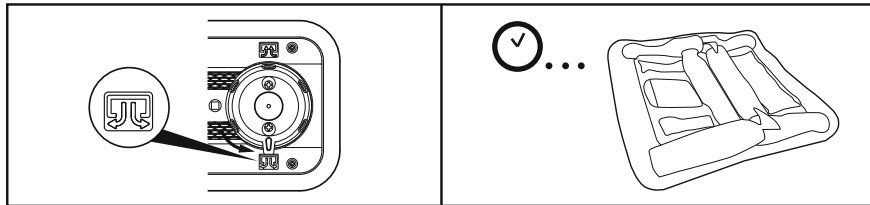
## INFLATE WITH HAND PUMP (NOT INCLUDED)



## DEFLATION



## MANUAL-DEFLATION



©2021 Bestway Inflatables & Material Corp.

All rights reserved/Tous droits réservés/Todos los derechos reservados/Alle Rechte vorbehalten/Tutti i diritti riservati

Trademarks used in some countries under license from/

Marques utilisées dans certains pays sous la licence de/

Marcas comerciales utilizadas en algunos países bajo la licencia de/

Die Warenzeichen werden in einigen Ländern verwendet unter Lizenz der/

Marchi utilizzati in alcuni paesi concessi in licenza a

**Bestway Inflatables & Material Corp., Shanghai, China**

Manufactured, distributed and represented in the European Union by/

Fabriqué, distribué et représenté dans l'Union Européenne par/Fabricado, distribuido y representado en la Unión Europea por/

Hergestellt, vertrieben und in der Europäischen Union vertreten von/Prodotto, distribuito e rappresentato nell'Unione Europea da

**Bestway (Europe) S.r.l., Via Resistenza, 5, 20098 San Giuliano Milanese (Milano), Italy**

Distributed in Latin America by/Distribué en Amérique latine par/Distribuido en Latinoamérica por/Distribuido en América Latina por

**Bestway Central & South America Ltda, Salar Ascotan 1282, Parque Enea, Pudahuel, Santiago, Chile**

Distributed in Australia & New Zealand by **Bestway Australia Pty Ltd, Unit 2/98-104 Carnarvon St Silverwater, NSW 2128, Australia**

Tel: Australia: (+61) 29 0371 388; New Zealand: 0800 142 101

Distributed in United Kingdom by **Bestway Corp UK Ltd, 8 Wentworth Road, Heathfield Industrial Estate, Newton Abbot, Devon, TQ12 6TL**

Exported by/Exporté par/Exportado por/Exportiert von/Esportato da

**Bestway (Hong Kong) International Ltd./Bestway Enterprise Company Limited**

Suite 713, 7/Floor, East Wing, Tsim Sha Tsui Centre, 66 Mody Road, Kowloon, Hong Kong

Tel: +86 21 69135588 (For U.S. and Canada)

[www.bestwaycorp.com](http://www.bestwaycorp.com)

**Bestway**

303021266926