

# Bestway®

[www.bestwayusa.com](http://www.bestwayusa.com)

©2023 Bestway Inflatables & Material Corp.

All rights reserved

Trademarks used in some countries under license from Bestway Inflatables & Material Corp., Shanghai, China

Exported by Bestway (Hong Kong) International Ltd./Bestway Enterprise Company Limited

Suite 713, 7/Floor, East Wing, Tsim Sha Tsui Centre, 66 Mody Road, Kowloon, Hong Kong

Distributed in North America by Bestway (USA) Inc., 3435 S. McQueen Road, Chandler, AZ 85286, United States of America

Tel: +86 21 69135588

[www.bestwayusa.com](http://www.bestwayusa.com)

# OWNER'S MANUAL

## 58695E SolarFlow™ Outdoor Shower

### TECHNICAL SAFETY INSTRUCTIONS

**Read the safety and assembly instructions carefully to avoid the risk of injury or damaging the product. Keep these instructions for a later date. If you give the product to anyone else at some point in the future, please pass along this manual.**

- Only for domestic use and not for commercial use.
- Keep small parts, plastic bags and other packaging out of the reach of children.
- Pay careful attention when unpacking your item around children as there is a danger of suffocation with packaging items.
- Never modify the product. Changes may be unsafe or even dangerous.
- Do not use solvent based-cleaners or detergents - for example, bleach - as they can damage the product.
- The solar shower is designed exclusively for outdoor showering.
- The solar shower is not a toy for children. Use the solar shower only as described in this manual. Any other use is deemed improper and may result in property damage or even personal injury. The manufacturer or dealer accepts no liability for damage caused by improper or incorrect use.
- If not in use for long time or during winter, the shower should be emptied and the tap turned on to prevent the formation of germs.
- Make sure no electrical appliances and/or power connections are in contact with the shower or within reach of the shower's water jet.
- There is a risk of burn. Always check the water temperature with your hands before using the shower, use the faucet to adjust the temperature to a more comfortable level.
- Observe the local regulations. If necessary, you may have to install a return flow safety device between the shower and your hose connection (e.g. in the garden), unless it is already present in your external connection and specified locally. Potentially contaminated water from the shower must be prevented from flowing back into the local network.

### PRE-SETUP

Verify that the equipment components represent the model that you had intended to purchase. In case of any damaged or missing parts at the time of purchase, visit our website [bestwayusa.com](http://bestwayusa.com)

#### **Choose the correct location.**

- Install the shower near an adequate drainage system.
- To prevent potential flooding, the selected position for the shower must be far from the house's entrance. Otherwise, you could encounter water damage in your home.

- The surface must be flat and smooth. If the surface is inclined or uneven, it can cause the shower to tip over and break, or it could create injury to the user.
- Please install the solar shower in a sunny place where it will get maximum sun exposure for the majority of the day.

### **INSTALLATION**

The shower can be installed in two different ways:

- Using the base included in the set and positioning it on the floor.
- Drilling the bottom of the shower into the floor.

For the installation instructions, follow the below drawings. Drawings are for illustration purposes only. May not reflect actual product. Not to scale.

### **USAGE**

#### **Filling the tank with water.**

After installing the shower and connecting the garden hose, open the shower faucet and position it on the hot water. Open the tap of the water supply then, wait until the water flows out from the shower head. The tank of the shower should be filled with water. Close both the shower faucet and the tap of the water supply.

#### **Heating the water**

Once the tank of the shower is full of water, the sun will heat the water. The water temperature and the heating time required are based on the starting water temperature and ambient temperature.

#### **Using the shower**

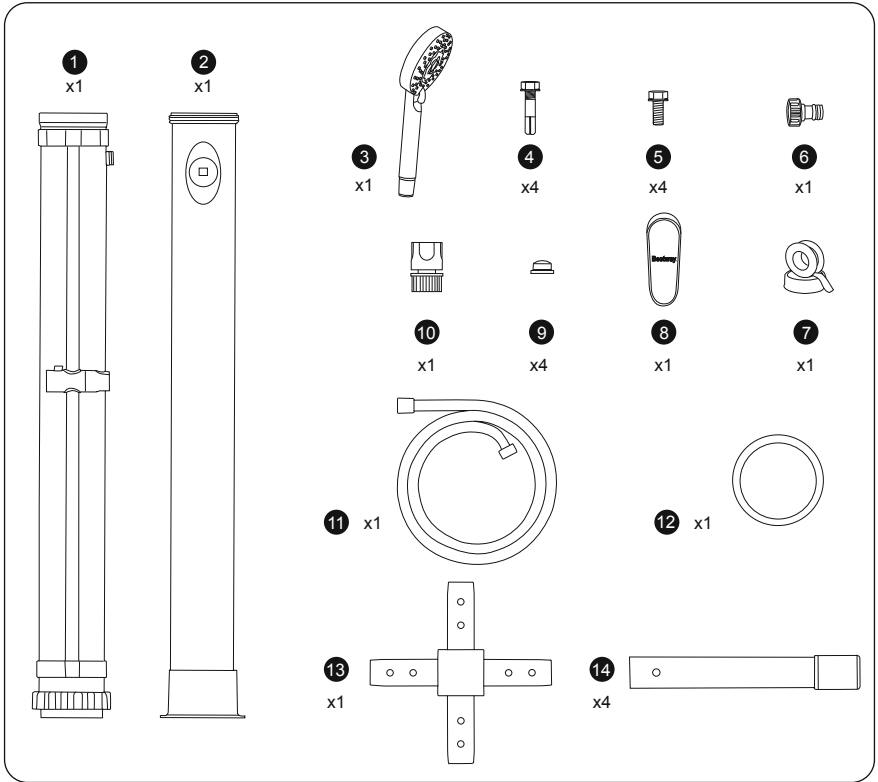
While using the shower, it is always necessary to keep the tap of the water supply opened; the shower works with the pressure of the water line. Close the tap of the water supply when you are not using the shower.

### **MAINTENANCE**

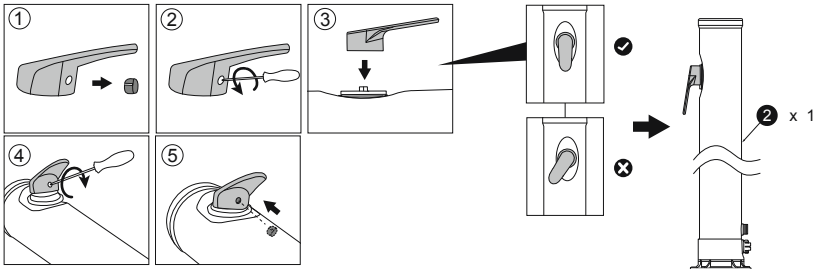
- Regular maintenance and cleaning of the shower head is necessary to ensure that the shower runs smoothly. It is quite normal for deposits to form on the shower head due to hard water.
- To remove deposits and dirt from the shower head, rub it with a soft damp cloth. Only use clear water and never cleaning agents.
- In case of dripping water from the shower head, check if the faucet is closed correctly.

### **STORAGE**

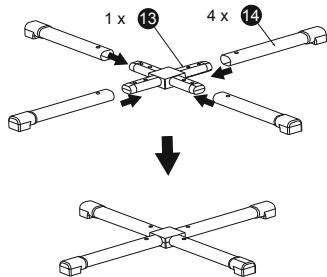
- We recommend dismantling the shower during the winter and storing it in a protected place.
- Before storing the shower, make sure there is no remaining water inside of it. The residual water could freeze and damage the shower components or create mildew and compromise the functionality of the shower.



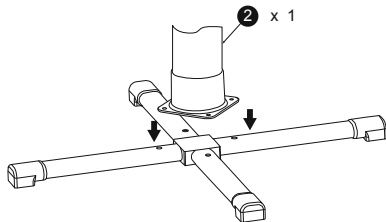
1



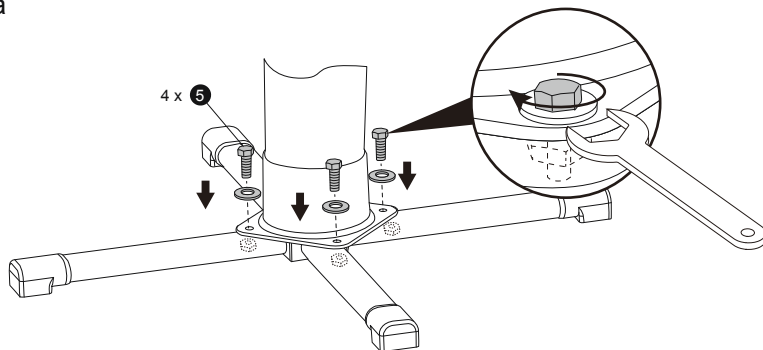
2-a



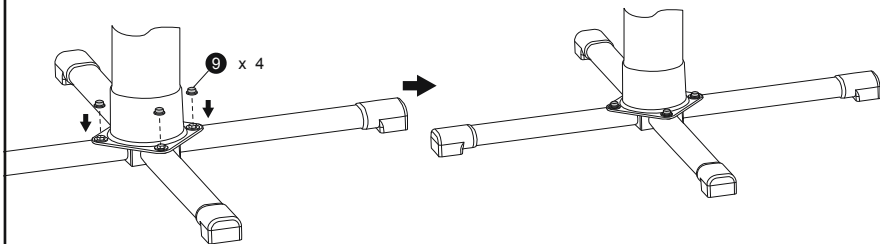
3-a



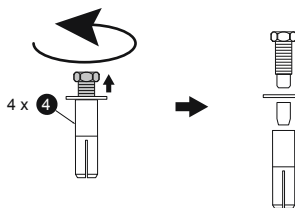
4-a



5-a



2-b



3-b

