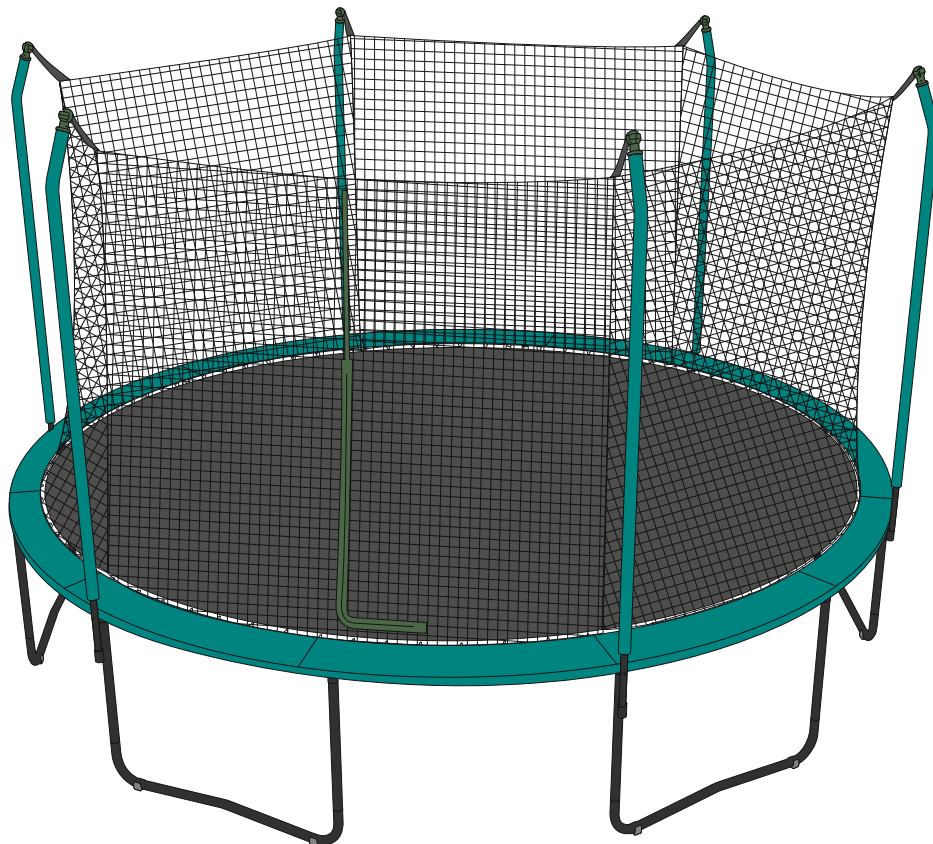




XTREME AIR™ OWNER'S MANUAL 59116E



Please note, image is for illustration purposes only; product may differ in appearance.

Visit www.bestwayusa.com/support for help



**WE SUGGEST NOT TO RETURN
THE PRODUCT TO THE STORE**


**QUESTIONS? PROBLEMS?
MISSING PARTS?**
For FAQ, Manuals, Videos Or
Spare Parts, Please Visit
bestwayusa.com/support

Scan for easy 3D instructions


Tap. Zoom. Rotate with official
interactive instructions on the BILT app.



BILT.



Download on the
App Store



GET IT ON
Google Play

TABLE OF CONTENTS

SAFETY INFORMATION

PAGE 3

- Carefully read over the important safety instructions and warnings before operating and keep this manual for future reference. Failure to follow safety information can result in serious injury or death to users.


PARTS & TOOLS NEEDED

PAGE 5

- To check the parts included in the box, consult the part list inside this manual. Verify that the equipment components represent the model that you had intended to purchase.
- In case of any damaged or missing parts at the time of purchase, visit our website bestwayusa.com/support.

SETUP INSTRUCTIONS

PAGE 6

- For the installation instructions, refer to the illustration steps  inside the manual. Drawings are for illustration purposes only. May not reflect actual product. Not to scale.
- Bestway will not be responsible for any damage caused to the trampoline due to mishandling or failure to follow these instructions.

USE INSTRUCTIONS

PAGE 16

MAINTENANCE INSTRUCTIONS

PAGE 19

DISASSEMBLY & STORAGE INSTRUCTIONS

PAGE 19

WARRANTY TERMS

PAGE 20

- For support and product registration, please visit bestwayusa.com/support.

SAFETY INFORMATION

Read these materials prior to assembling and using this Trampoline.

Carefully read, understand, and follow all information in this user manual before installing and using the trampoline. These warnings, instructions, and safety guidelines address some common risks of recreation, but they cannot cover all risks and dangers in all cases. Always use caution, common sense, and good judgment when enjoying any trampoline activity. Keep these instructions. If the instructions are missing, find them on our website www.bestwayusa.com/support.



WARNING

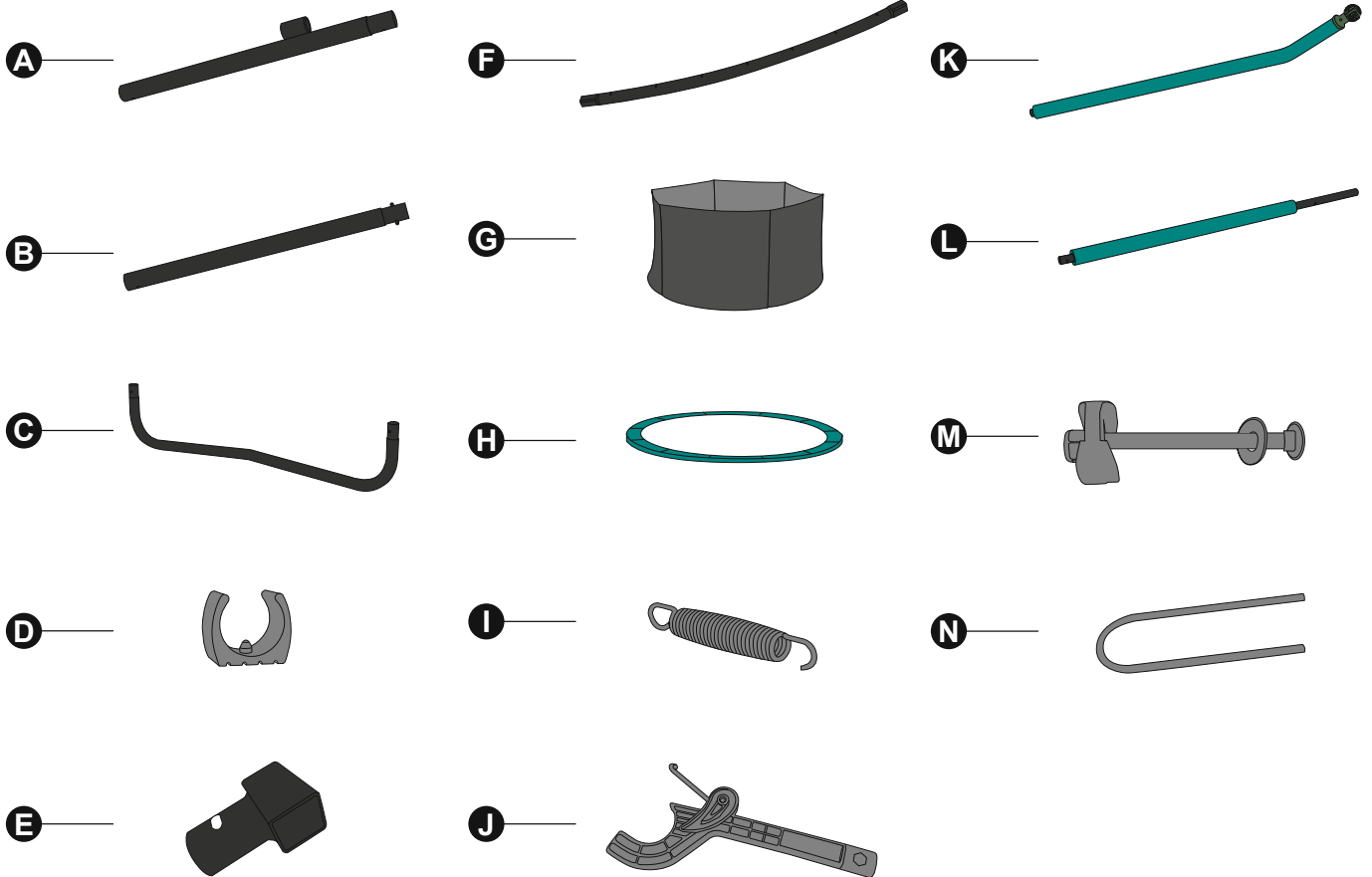
- DO NOT attempt or allow somersaults. Landing on the head or neck can cause serious injury, paralysis, or death, even when landing in the middle of the bed.
- Do not allow more than one person on the trampoline. Use by more than one person at the same time can result in serious injury.
- Use the trampoline only with mature, knowledgeable supervision.
- Only one user at a time is allowed. Maximum weight of the user shall not exceed **275 lbs (125 kg)**.
- Trampoline installation instructions shall be supplied by the manufacturer to aid the purchaser in proper installation and placement of the trampoline.
- Adequate overhead clearance is essential. A minimum of 24 ft. from ground level is recommended.
- Provide clearance for wires, tree limbs, and other possible hazards.
- Lateral clearance is essential. Place the trampoline away from walls, structures, fences, and other play areas. Maintain a clear space on all sides of the trampoline.
- Place the trampoline on a level surface before use.
- It is important that the trampoline and padding are properly attached to the frame. Ensure they are in the correct position prior to using the trampoline.
- Use the trampoline in a well-lit area. Artificial illumination may be required for indoor or shady areas.
- Secure the trampoline against unauthorized and unsupervised use.
- Remove any obstructions from beneath the trampoline.
- The trampoline enclosure is only to be used as an enclosure for a trampoline of a size for which the enclosure is designed.
- The owner and supervisors of the trampoline are responsible for making all users aware of practices specified in the use instructions.
- Trampolines over 20 in. (51 cm) tall are not recommended for use by children under 6 years of age.
- Make sure the barrier and the enclosure support (frame) padding is correctly and securely positioned.
- Climb on and off the trampoline. It is dangerous to jump from the trampoline to the floor or ground when dismounting, or to jump onto the trampoline when mounting. Do not use the trampoline as a springboard to other objects.
- Stop the bounce by flexing knees as feet come in contact with the trampoline bed. Learn this skill before attempting others.
- Learn fundamental bounces and body positions thoroughly before trying more advanced skills. A variety of trampoline activities can be carried out by performing the basic fundamentals in various series and combinations, performing one fundamental skill after another, with or without feet bounces between them.
- Avoid bouncing too high. Stay low until bounce control and repeated landing in the center of the trampoline can be accomplished. Control is more important than height.
- While keeping the head upright, focus eyes on the trampoline toward the perimeter. This will help control bounce.
- Avoid bouncing when tired. Keep turns short.
- Properly secure the trampoline when not in use. Protect it against unauthorized use.
- Do not use or stand near the trampoline in windy or gusty conditions. A trampoline can become airborne when exposed to sustained wind or gusting wind conditions. This can result in serious injury, paralysis, or death, as well as property damage. To reduce these risks, disassemble the trampoline and enclosure and store them until weather conditions improve. Anchoring a trampoline frame may prevent the trampoline from moving as a result of the wind, but even an anchored trampoline can become airborne or damaged. Consult a qualified contractor to determine what type of anchor works best in your location.
- Keep objects away that could interfere with the performer. Maintain a clear area around the trampoline.
- Do not use the trampoline while under the influence of alcohol or drugs.
- For additional information concerning the trampoline equipment, contact the manufacturer.

SAFETY INFORMATION

- For information concerning skill training, contact a certified trampoline instructor.
- Bounce only when the surface of the bed is dry. Wind or air movement should be calm to gentle. The trampoline must not be used in gusty or severe winds.
- Read all instructions before using the trampoline. Warnings and instructions for the care, maintenance, and use of this trampoline are included to promote safe, enjoyable use of this equipment.
- Users may become entangled in or strangled by loose cords or in gaps between trampoline and enclosure.
- Keep enclosure tightly fastened to the trampoline in accordance with the manufacturer's instructions. Failure to properly assemble and maintain a tight, secure trampoline/enclosure boundary may result in serious injury, strangulation, or death.
- Do not attempt to jump over the barrier.
- Do not attempt to crawl under the barrier.
- Do not intentionally rebound off the barrier.
- Do not hang from, kick, cut, or climb on the barrier.
- Wear clothing free of drawstrings, hooks, loops or anything that could get caught while using the trampoline/enclosure and result in entanglement or strangulation, or both.
- Do not attach anything to the barrier that is not a manufacturer-approved accessory or part of the enclosure system.
- Enter and exit the enclosure only at the enclosure door or barrier opening designated for that purpose.
- Inspect the trampoline before each use and replace any worn, defective, or missing parts. The following conditions could represent potential hazards:
 - (1) Missing, improperly positioned, or insecurely attached barrier or enclosure support system (frame) padding and pole caps.
 - (2) Punctures, frays, tears, or holes worn in the bed, barrier or support system (frame) padding.
 - (3) Deterioration in the stitching or fabric of the bed, barrier or support system (frame) padding.
 - (4) Ruptured springs,
 - (5) Bent or broken support system (frame).
 - (6) A sagging bed, sagging barrier, or
 - (7) Sharp protrusions on the support (frame) or suspension system.

PARTS & TOOLS NEEDED

Compare the parts in your box to the parts listed in this manual. Verify that the equipment components represent the model that you had intended to purchase. If any parts are damaged or missing at the time of purchase, visit our website bestwayusa.com/support.



Xtreme Air™ 59116E		14 ft. x 9 ft. 4.5 in. 4.27 m × 2.86 m	
A Vertical Leg A	x6	H Frame Pad	x1
B Vertical Leg B	x6	I Spring	x84
C Leg Base	x6	J QuickSpring™ Trampoline Tool	x1
D Foot Pad	x12	K Upper Frame Support with Support Cap	x6
E T Connector	x12	L Lower Frame Support with Foam	x6
F Base Rail	x12	M Screw Set	x6
G Trampoline Mat with Enclosure Netting	x1	N Anchor	x6

SETUP INSTRUCTIONS

Assembly Instructions

For installation instructions, scan the QR Code printed on the front cover or follow the illustrations below. Drawings are for illustration purposes only. May not reflect actual product. Not to scale.

Assembly of this trampoline can be completed without additional tools. Bestway is not responsible for damage caused to the trampoline due to mishandling or failure to follow these instructions.

Helpful Tips

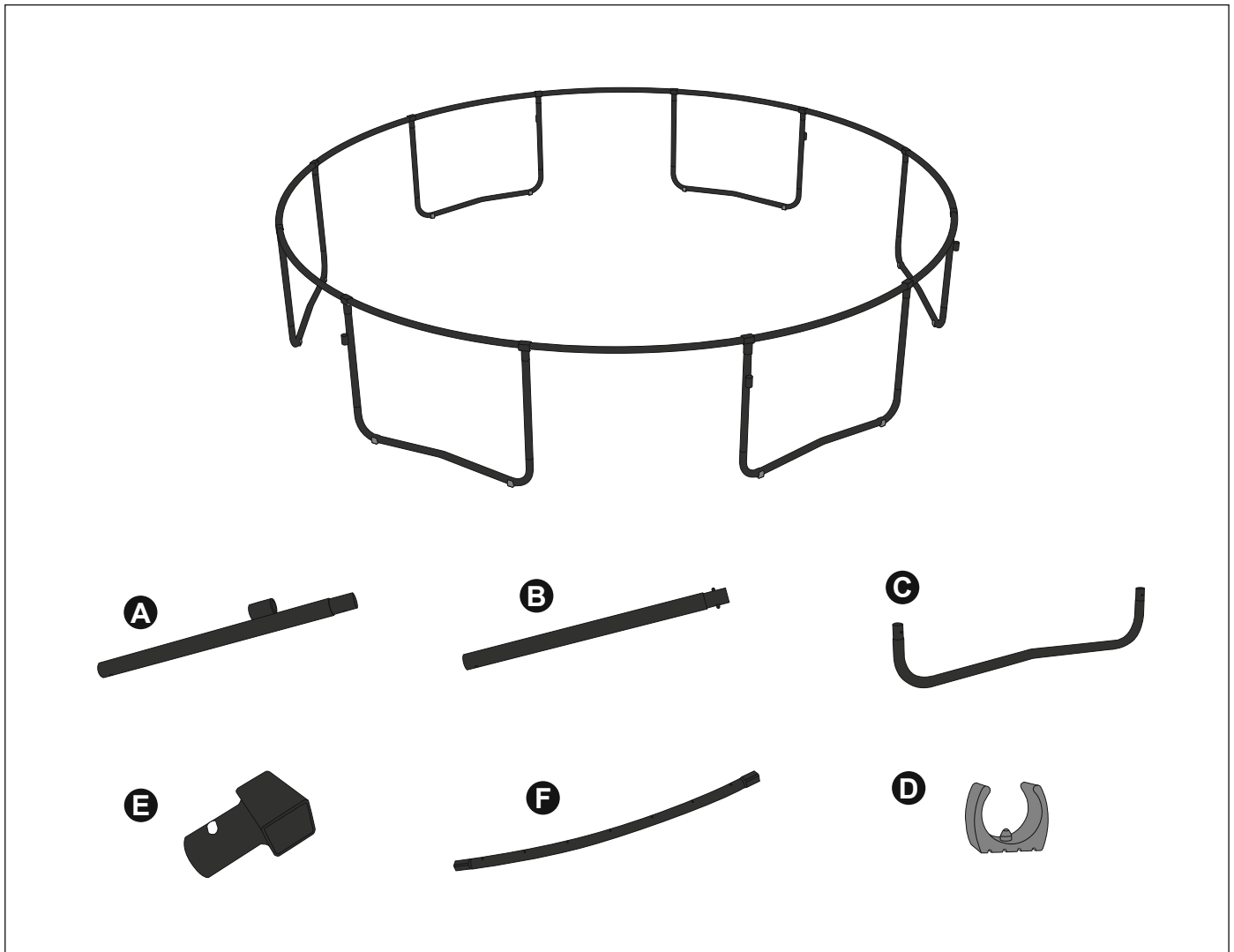
- We suggest assembling the product with at least two people, making it easier to manage and move the structure. Assembly time may vary based on individual experience.
- Use gloves (not included) to avoid injury during assembly.
- Use the Special QuickSpring™ Trampoline Tool (Part J) to assembly screws and springs. The front part of the tool is for installing the springs, while the lower part of the haddle is for fixing the screws.

NOTE: The assembly steps are intended to simplify the installation process. We strongly suggest you follow them in the recommended order to avoid an increase in the assembly time.



INSTALLATION

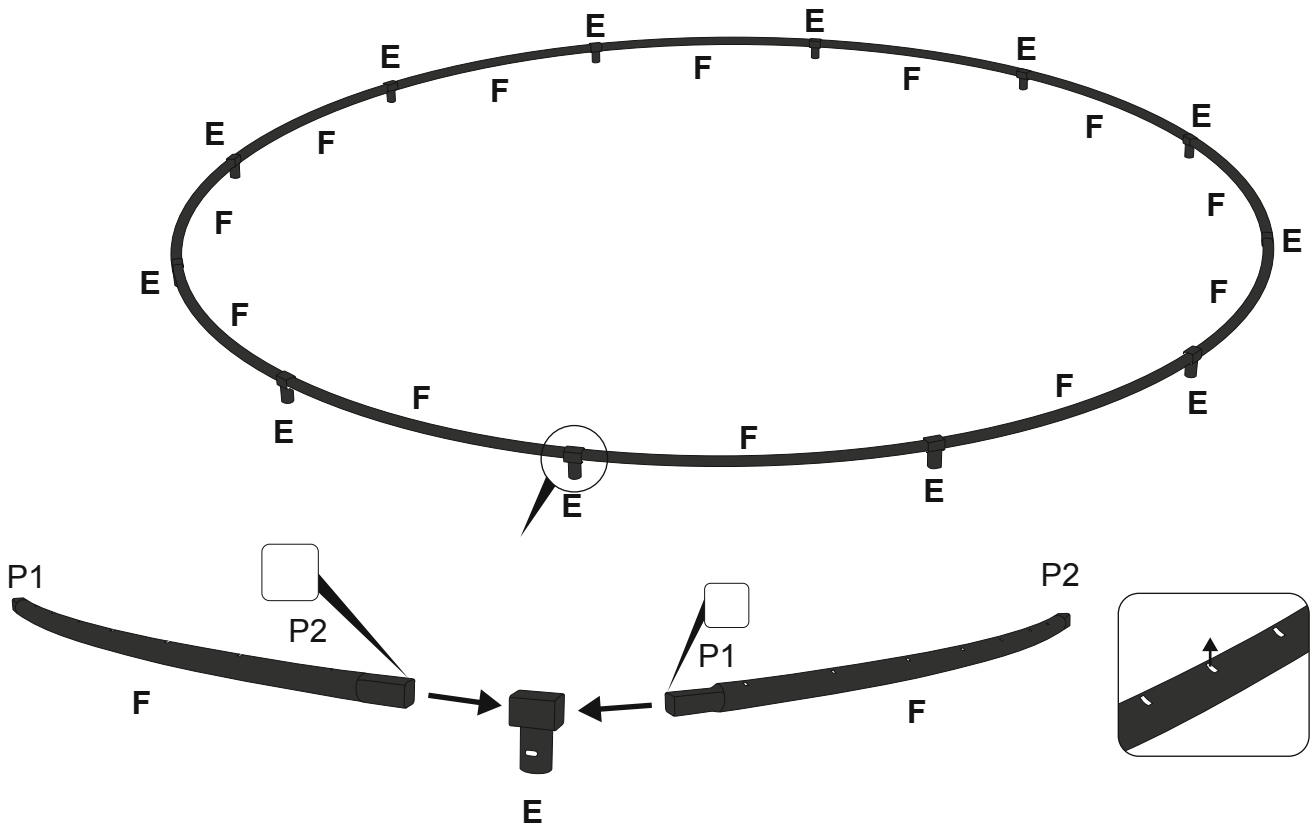
Base Assembly



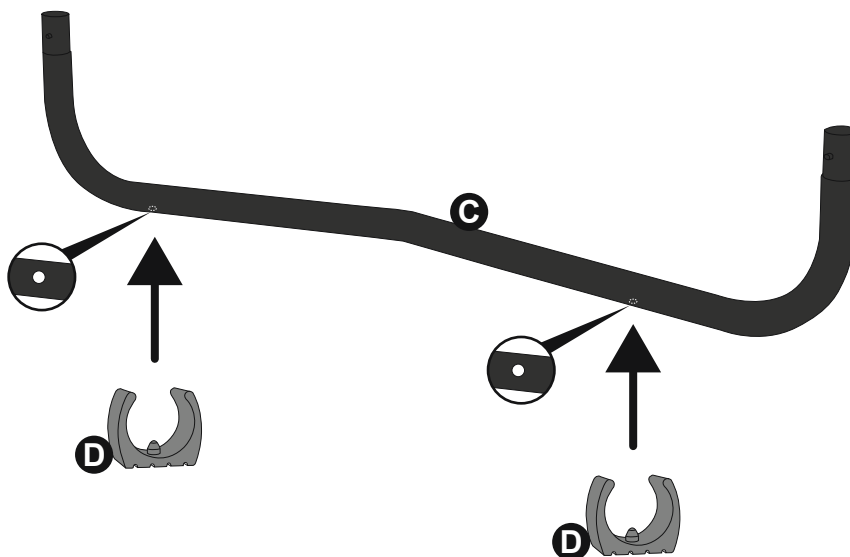


INSTALLATION

- 1 Connect the Base Rail (F) with the T-connector (E). The base rails have different-sized ends, a small one (P1) and a large one (P2). First, insert the large end (P2) into each T-connector and then the small end (P1). Make sure the spring slots are facing upward.



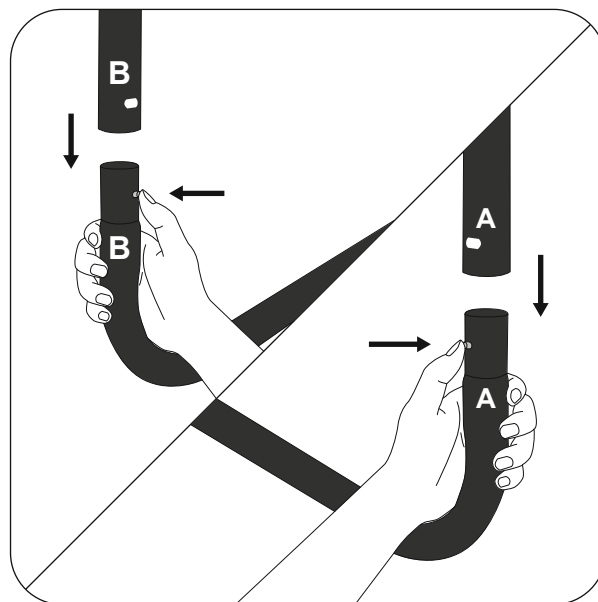
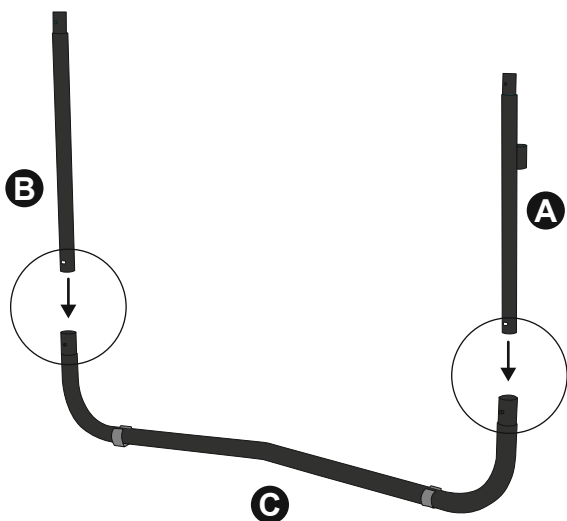
- 2 Insert the Foot Pad (D) onto the bottom of the Leg Base (C). Make sure the pins on the foot pads match the holes on the leg base.



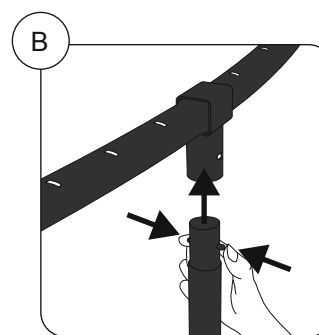
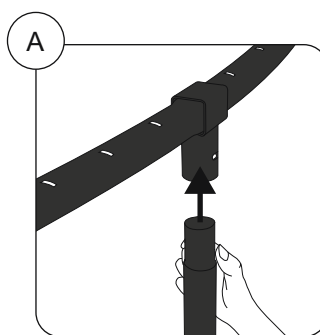
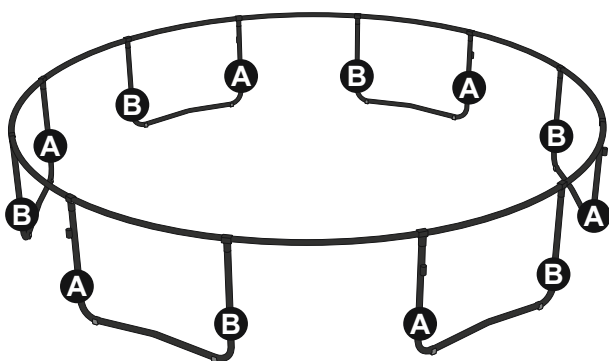


INSTALLATION

- ③ Connect the Vertical Leg (A) and the Vertical Leg (B) onto the Leg Base (C) to form the base structure. Make sure the spring-loading pins on the two vertical legs are inserted correctly.



- ④ Insert the base structure completed in Step 3 into the T-Connector (E) from Step 1. Ensure that the spring-loading pins of the vertical legs are inserted into the T-connectors correctly.
IMPORTANT: Each Vertical Leg (A) should be mounted in the same position, with the metal cube facing outwards.





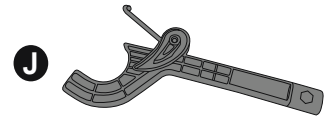
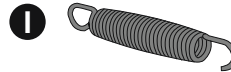
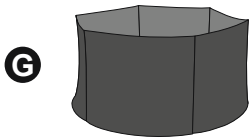
INSTALLATION



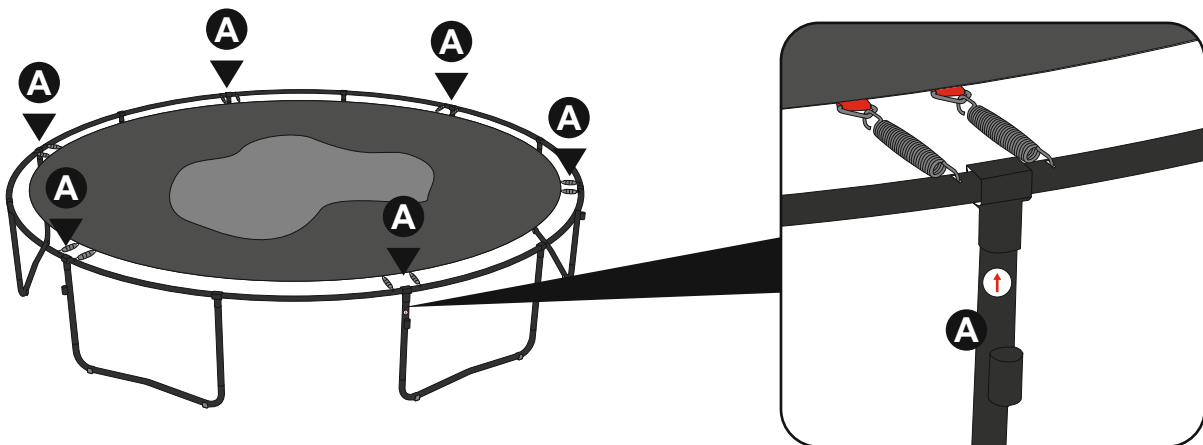
Feel free to scan the QR Code for the installation clip of this section!



Spring Assembly



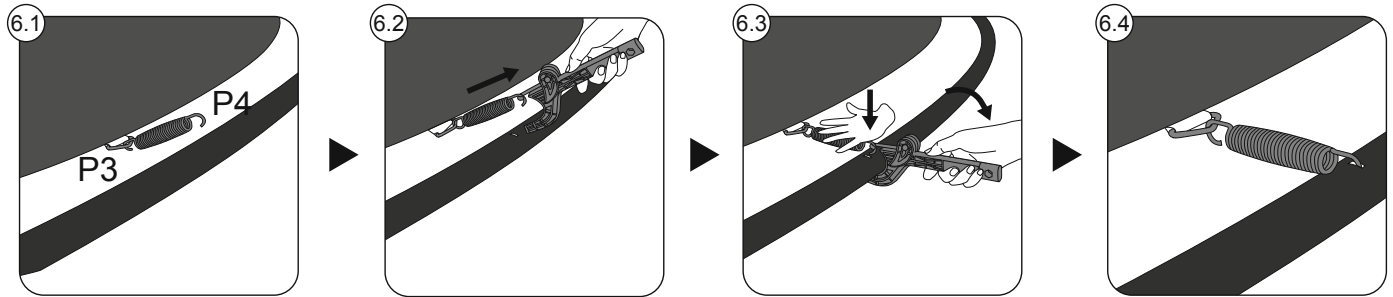
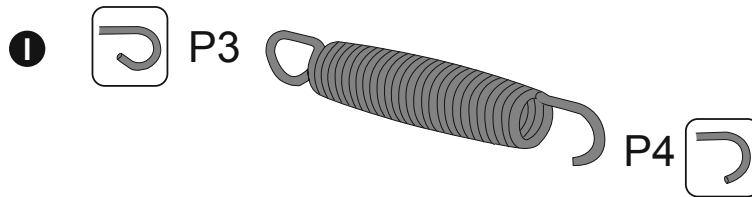
- ⑤ The Trampoline Mat (G) has metal rings with red markings, which should be the first ones using springs to connect to the frame of the upper structure. These rings with red markings should be on each side of the Vertical Leg A and match up with the posted upward-arrow red stickers.



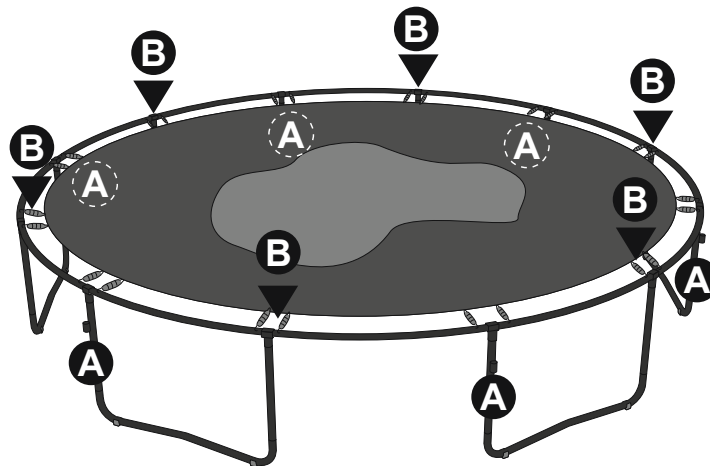


INSTALLATION

- ⑥ The spring (I) has two ends with different shapes: the P3 end must be inserted into the rings of the Trampoline Mat (G), while the P4 end must be inserted into the frame of the upper structure. The assembly of the springs must be carried out using the QuickSpring™ Trampoline Tool (J):
- Insert the P3 end of the spring into the metal ring of the mat.
 - Use the QuickSpring™ Trampoline Tool (J) to hook the P4 end of the spring, align the curved, U-shape part of the QuickSpring™ Trampoline Tool with the rounded edge of the frame, and rotate the tool handle downward to pull the spring toward you and insert it into the frame.
 - Insert the P4 end of the spring into the slot in the frame of the upper structure, and use your other hand to brace yourself for support as needed.



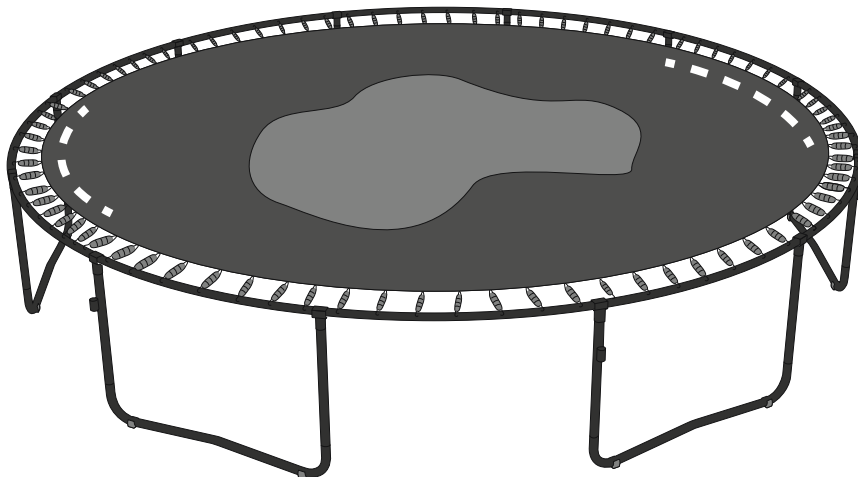
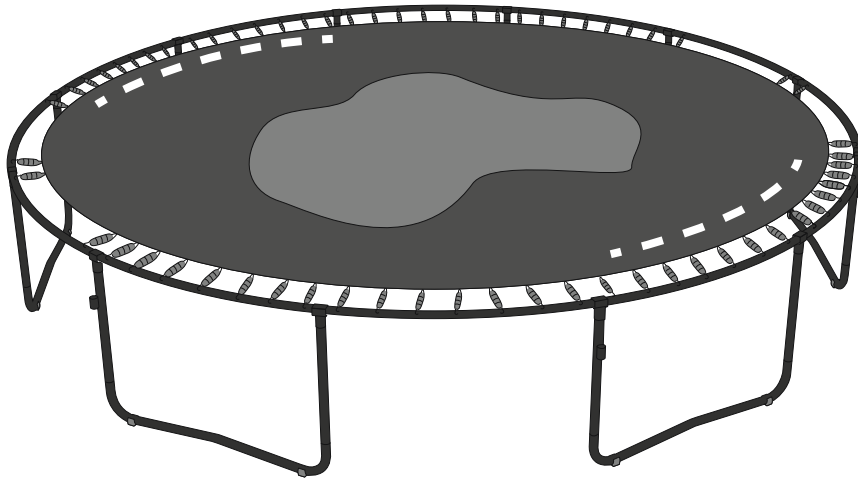
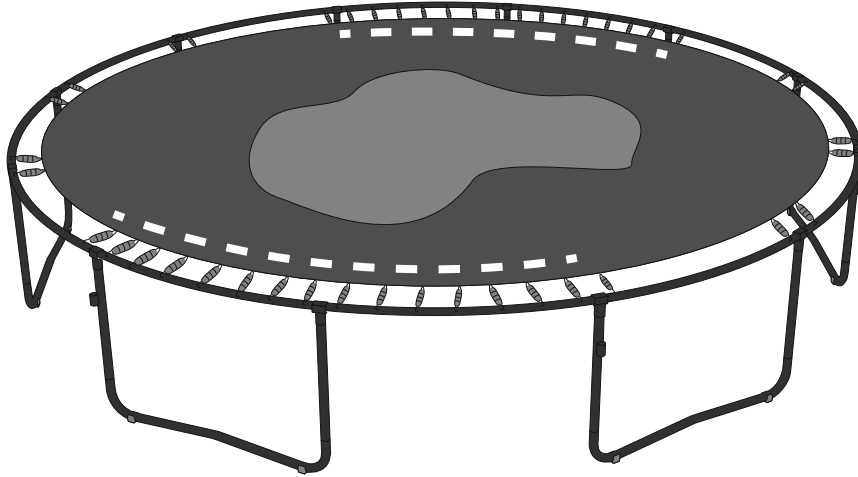
- ⑦ Connect the metal rings to the frame on each side of Vertical Legs B.





INSTALLATION

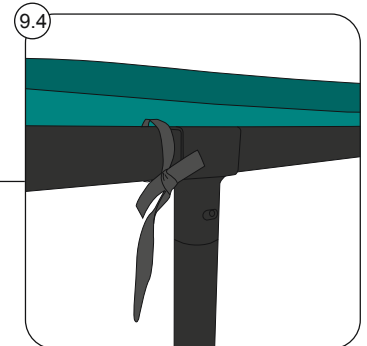
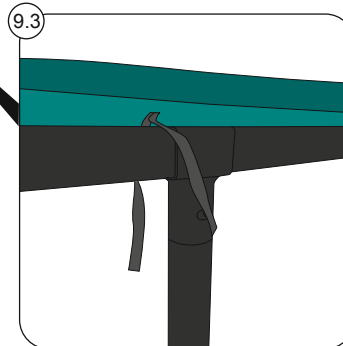
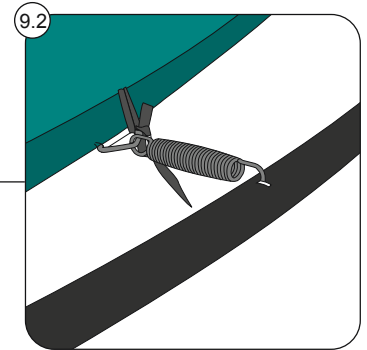
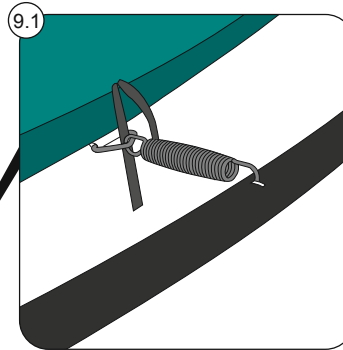
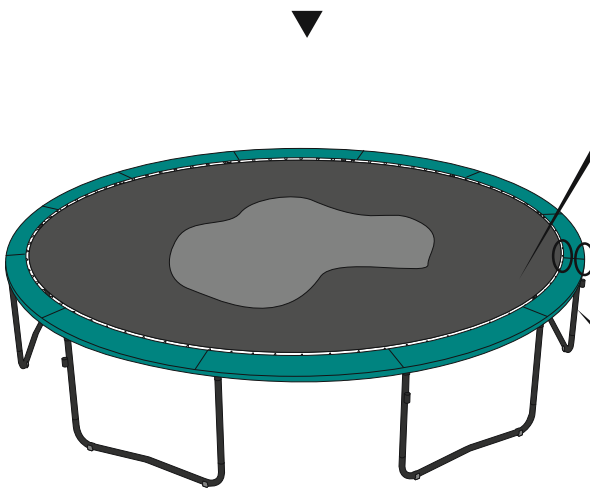
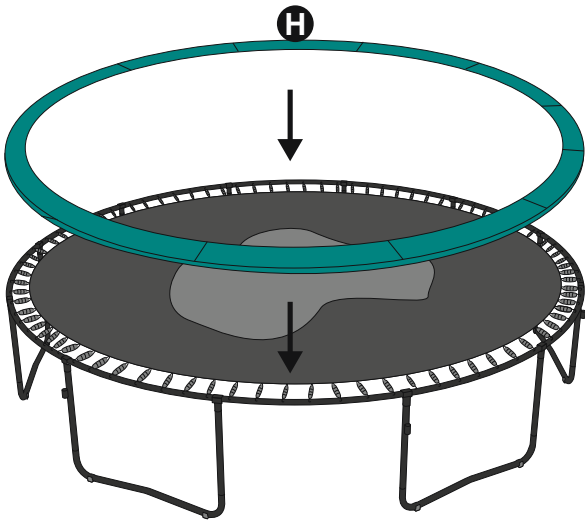
- ⑧ Cross-install the rest of the springs.





INSTALLATION

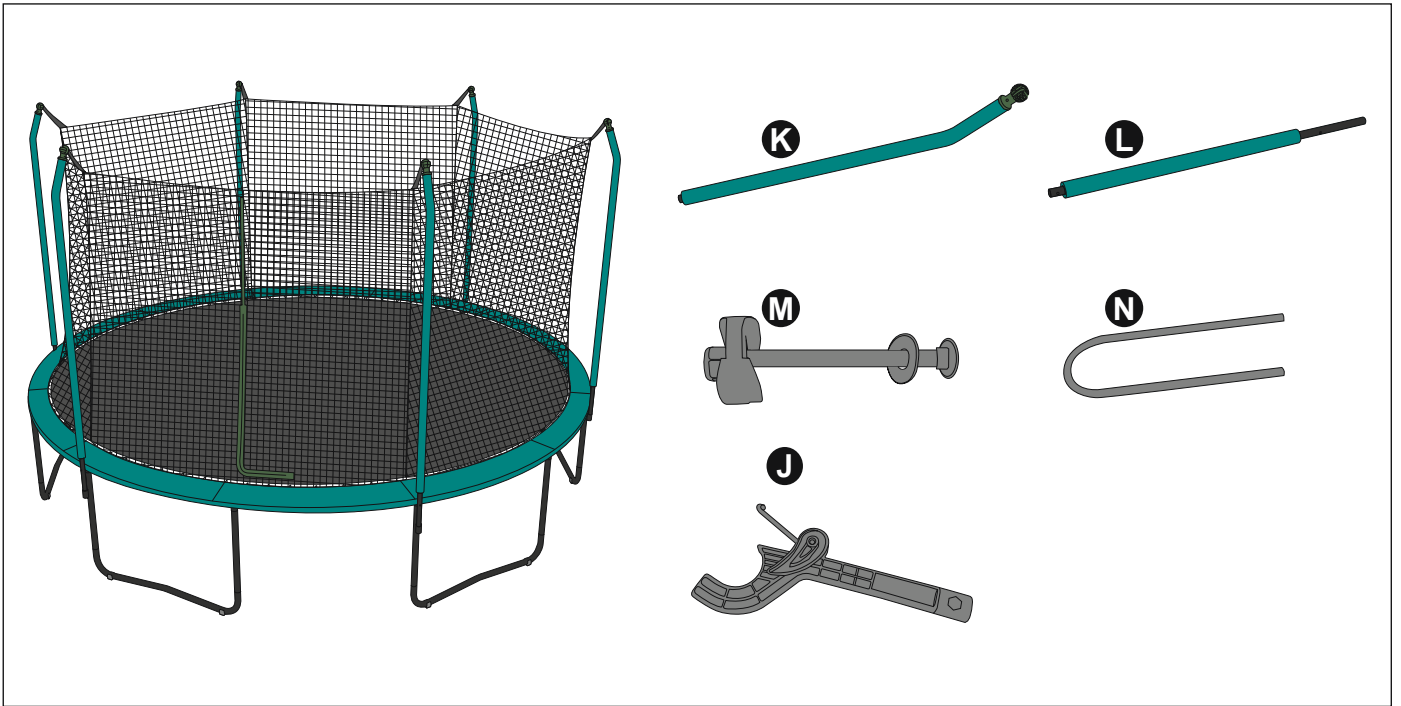
- 9 Position the Frame Pad (H) over the springs and frame. Use the provided strings to secure the Frame Pad (H) to the metal rings of the trampoline mat (9.1&9.2) and the frame of the upper structure besides the vertical legs (9.3&9.4).



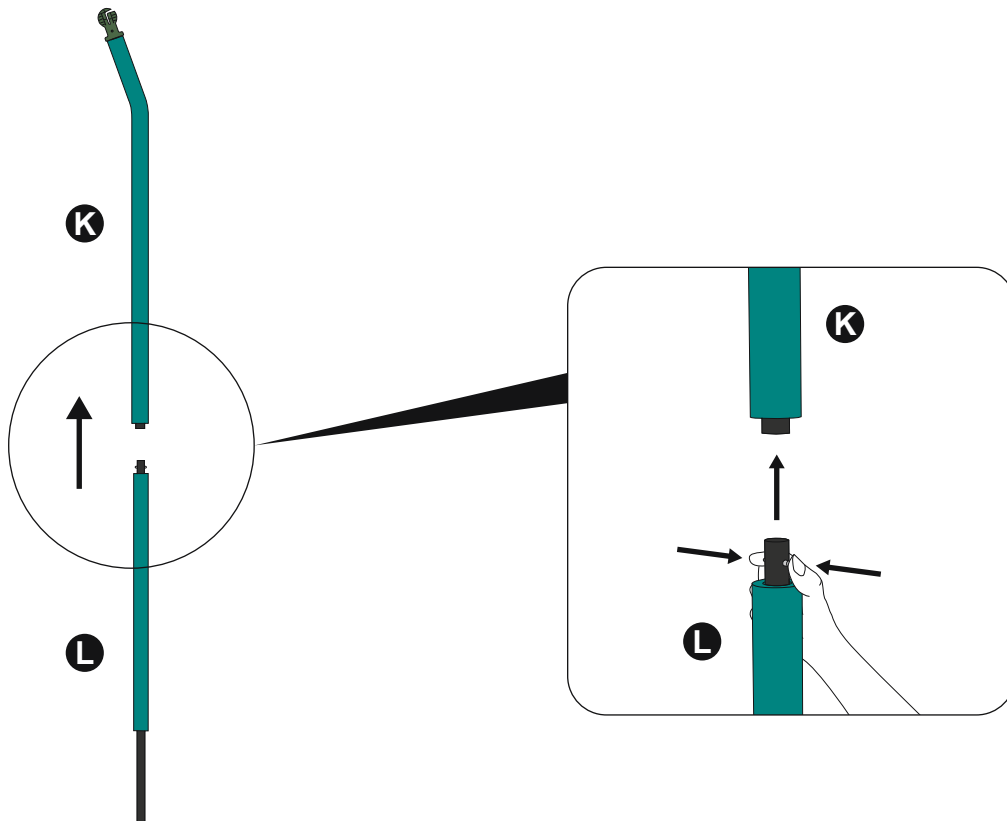


INSTALLATION

Enclosure Net Assembly



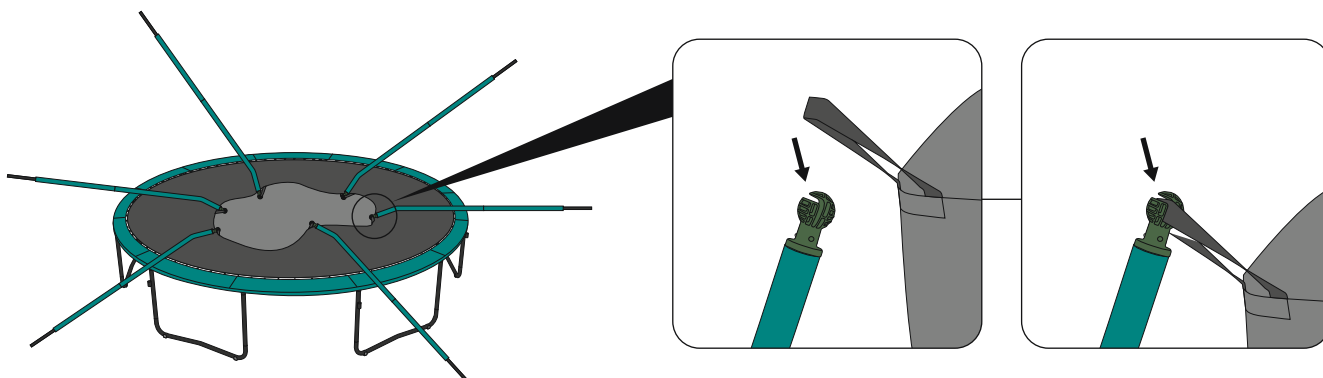
⑩ Insert the Lower Frame Support with Foam (L) into the Upper Frame Support with Support Cap (K).



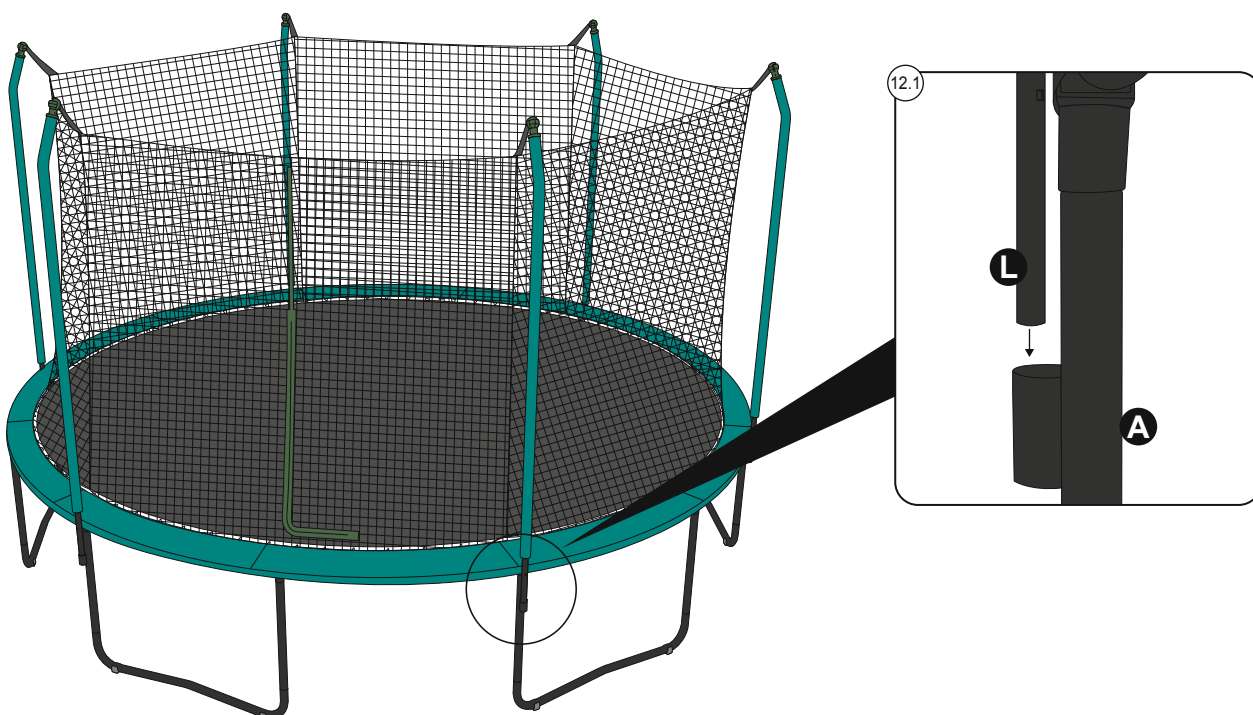


INSTALLATION

- ⑪ Attach the Support Cap of the Upper Frame Support (K) to the top of the enclosure netting. Make sure the caps' opening faces outward.

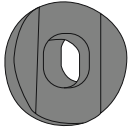
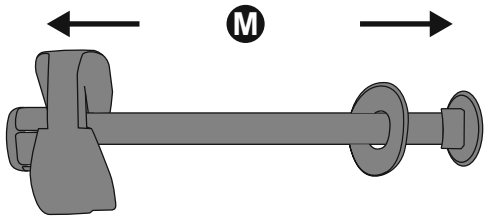


- ⑫ Insert the Lower Frame Support with Foam (L) into the outward-facing metal cube on the Vertical leg A as shown in 12.1. After that, follow the provided sequence to secure the frames and legs using the Screw Set (M). The Screw Set is composed of four parts, each of which will be used in different positions as shown in 12.2 to 12.9.





INSTALLATION

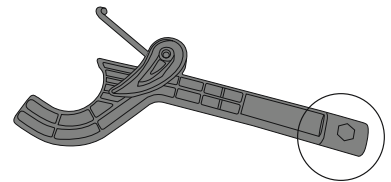
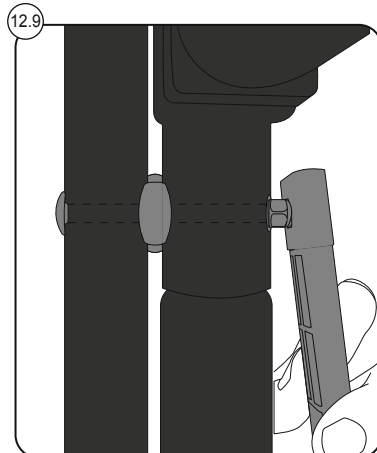
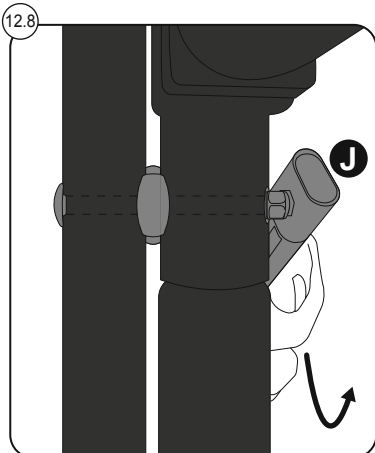
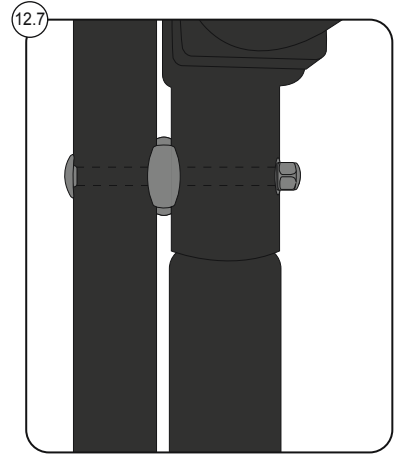
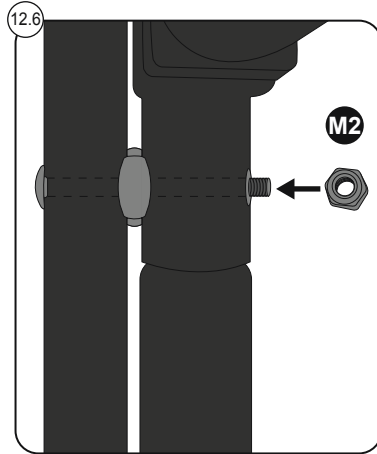
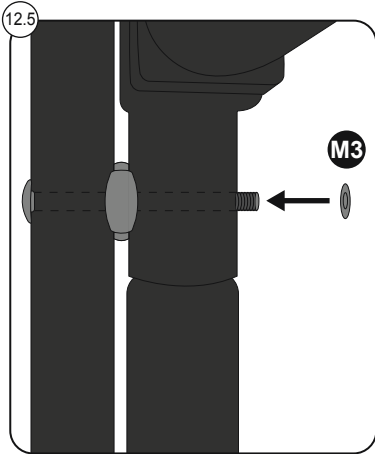
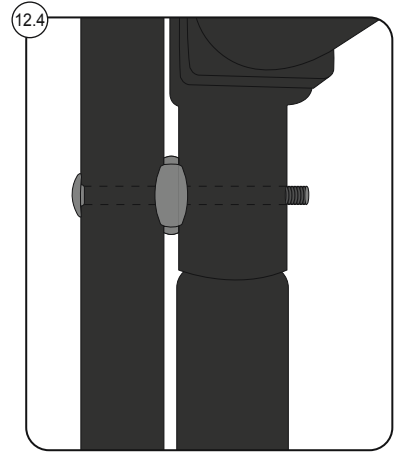
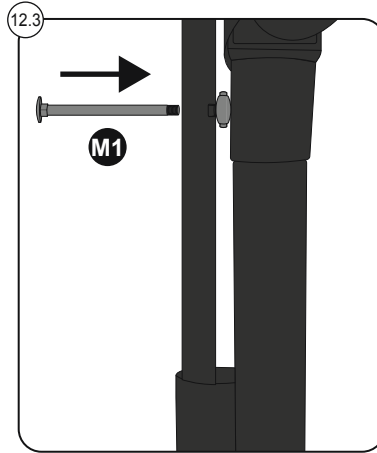
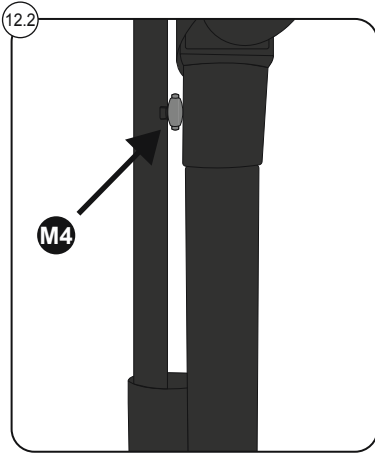


M2

M3

M4

M1

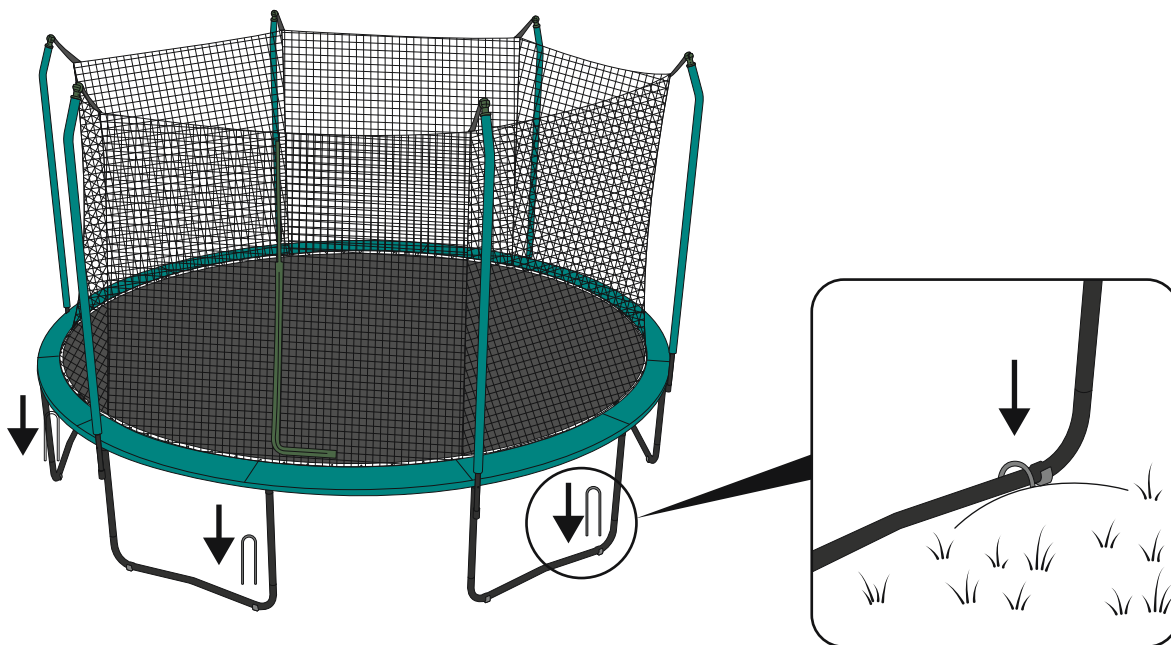


The QuickSpring™ Trampoline Tool (J) is specially designed for multiple uses during the setup. You can use the wrench at the end of the handle to tighten the screws.



INSTALLATION

- ⑬ Complete the trampoline installation by fixing the Anchors (N) to the ground. Anchors are designed to secure the trampoline and reduce the risk of the trampoline moving when it's windy or in use.



USE INSTRUCTIONS

FUNDAMENTAL TRAMPOLINE SKILLS

Trampolining is a fun and engaging activity that requires some basic knowledge of steps and bounces. To get started, we suggest you follow the lessons outlined here.

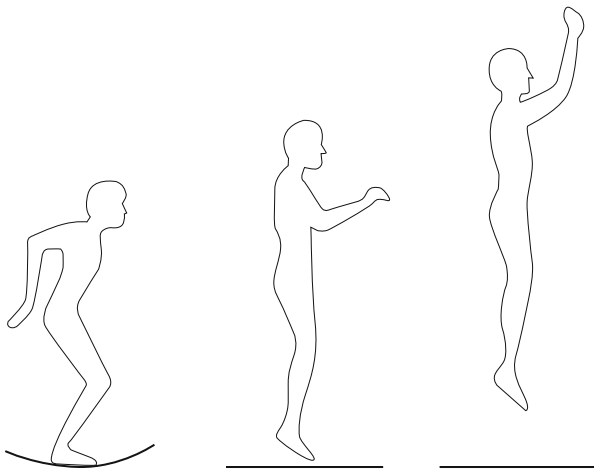
Before you begin your trampoline journey, it's essential that you read and fully understand all the safety guidelines. It is also necessary for the supervisor to have a complete lesson with the user regarding body mechanics, proper posture, and the guidelines governing trampoline usage. This lesson should be complemented by a demonstration of the correct procedures to be followed.

IMPORTANT: Do not jump with shoes. It can damage the trampoline mat and increase injury risk. We suggest jumping with bare feet or wearing non-slip socks.

IMPORTANT: Before starting the lesson, demonstrate and practice proper techniques for safely mounting and dismounting the enclosure netting.

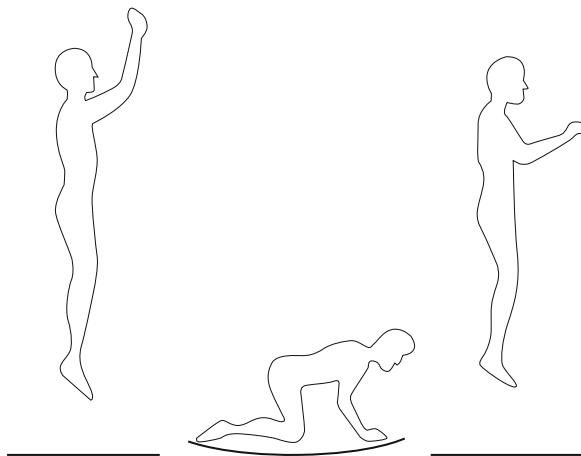
USE INSTRUCTIONS

Lesson One - Feet Drop



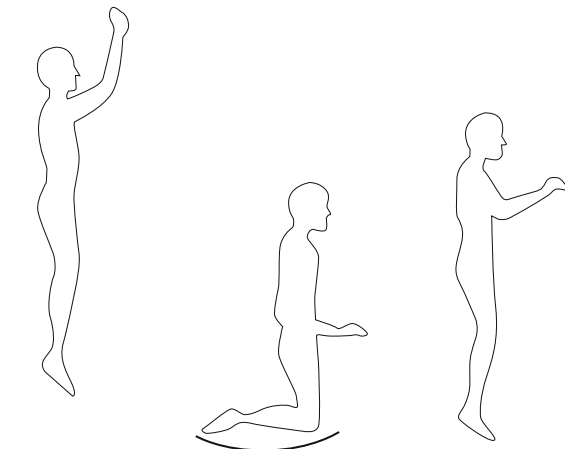
1. Bounce from a standing position, keep your head upright and your eyes focused on the frame pad.
2. Swing your arms forward and upward in a circular motion.
3. While in the air, bring your feet together and point your toes downward.
4. When landing on the mat, maintain a shoulder-width distance between your feet.

Lesson Two - Hand and Knee Drop



1. Bounce from a standing position, and keep your eyes focused on the frame pad.
2. Land on the mat on your hands and knees.
3. Push yourself up with your hands back to the standing position.

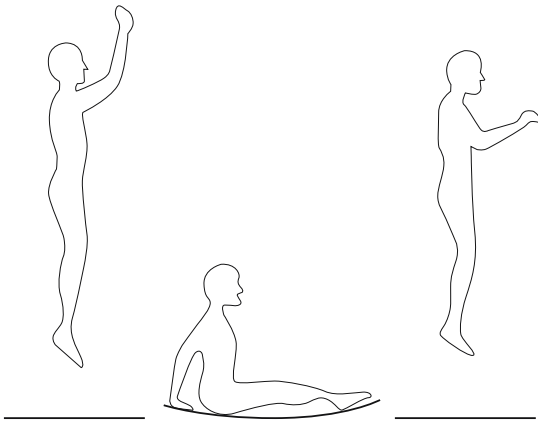
Lesson Three - Knee Drop



1. Bounce from a standing position, and keep your eyes focused on the frame pad.
2. Land on the mat on your knees, keeping your back straight and your body upright.
3. Come back up to the standing position.

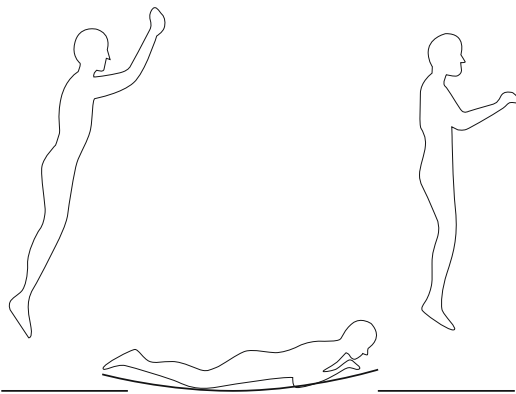
USE INSTRUCTIONS

Lesson Four - Seat Drop



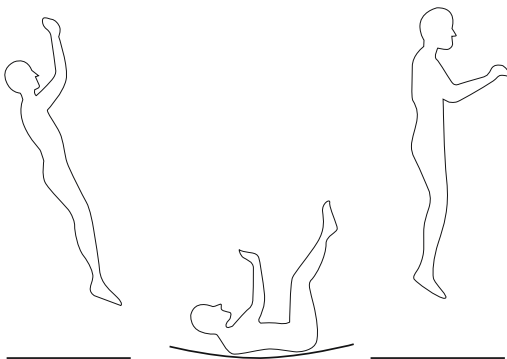
1. Bounce from a standing position, and keep your eyes focused on the frame pad.
2. Land in a seated position with your legs parallel to the mat.
3. Put your hands on the mat beside your hips.
4. Push yourself up with your hands back to the standing position.

Lesson Five - Front Drop



1. Start from a low bounce from a standing position and land on the mat on your stomach.
2. Keep your head up and your arms extended forward on the mat.
3. Push yourself up with your arms back to the standing position.

Lesson Six - Back Drop



1. Start from a low bounce from a standing position and land on the mat on your back.
2. Keep your chin forward on your chest as you land.
3. Kick forward and push yourself up with your legs back to the standing position.

Congrats! You have learned each of the above lessons. We encourage you to design and figure out your routine during the trampoline journey, paying attention to good form. The supervisor may judge or grade users and arrange groups for further instruction accordingly.

MAINTENANCE INSTRUCTIONS

Before every use, check every part of the trampoline, such as the springs, trampoline legs, and enclosure net. The legs should be locked securely in place, all the springs attached to the frame, and there should be no tears in the enclosure net. If any part becomes damaged or worn, please stop using the trampoline immediately until this part is replaced with authorized Bestway parts.

If you need to move the trampoline, two or more people are required to lift the trampoline from the ground. Do not drag the trampoline. Failure to follow these instructions may result in damage, which will not be considered a manufacturer defect and will void the warranty and any service claims.

If you need to remove the trampoline, it is recommended to disassemble the trampoline and then reassemble it in the new location.

Remove debris from the jumping mat before every use. Remove the net from the posts and sweep away debris or zip down the enclosure net and blow away debris with a leaf blower. If there is something sticking to the mat, we suggest using a cotton cloth to gently clean it. Do not use any abrasive brushes or tools to avoid damaging the mat.

DISASSEMBLY & STORAGE INSTRUCTIONS

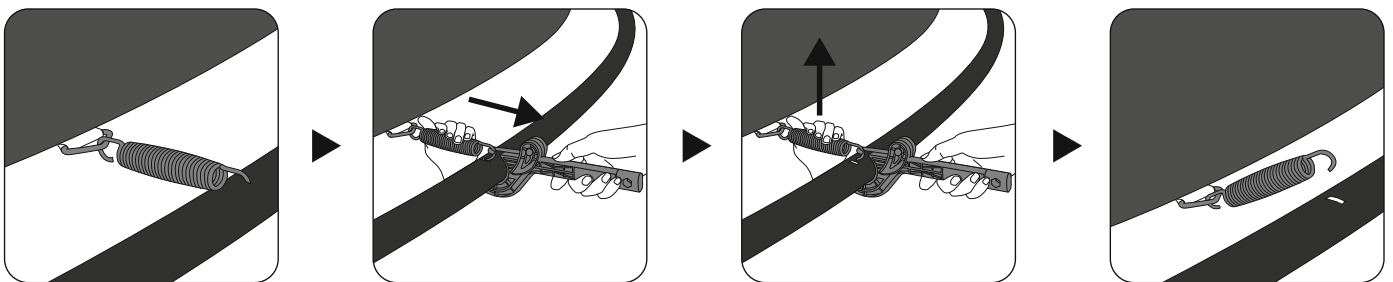
- If you need to disassemble the trampoline, please follow the assembly instructions in reverse and take special care to retain all parts. Retain original packaging for transport purposes.
- Do not attempt to disassemble any frame components until all the springs and the trampoline mat have been removed.
- Use gloves (not included) to avoid injury.

When disassembling the springs,

- Use the QuickSpring™ Trampoline Tool (J) to pull out the P4 end of the spring from the slot in the frame.
- Lift the spring with the help of the other hand until the P4 end is detached.



Feel free to scan the QR Code for the disassembly clip of this section!



Cleaning

After use, gently clean the mat with a soft, cotton cloth. Do not use any abrasive brushes or tools to avoid damage.

Storage

The trampoline and enclosure net must be stored away during harsh weather conditions, including extreme wind, heat, and freezing temperatures.

Always store the trampoline and enclosure net when not in use and secure from unauthorized uses.

WARRANTY TERMS

For support and product registration, please visit bestwayusa.com/support.

Bestway | LIMITED WARRANTY

Bestway (Hong Kong) International Ltd. (“Bestway”) warrants to the original end-user purchaser in the United States and Canada that the products identified in the table below (“Products”) will be free from manufacturing defects for the warranty period identified for the Product in the table below. The warranty period begins on the date of purchase or the date of delivery of the Product to the original, end-user purchaser, whichever is later.

Because Bestway cannot control the quality of Products sold by unauthorized sellers, this warranty applies only to Products that were purchased from Bestway or a Bestway authorized seller in the United States and Canada, unless otherwise prohibited by law. Bestway reserves the right to reject warranty claims for Products purchased from unauthorized sellers, including unauthorized Internet sites.

This warranty does not cover any damage or defects due to:

- normal wear and tear;
- misuse, including use outside of the owner’s manual guidelines;
- alteration to the product by the end-user or any third party;
- improper storage or handling, including storage or handling not in accordance with the technical recommendations in the owner’s manual;
- negligence.

Bestway will repair or replace the damaged or defective part(s) only. Bestway will not repair or replace the complete set.

Purchasers of Products who wish to make a warranty claim based upon a Product defect should complete the warranty claim form found at <https://www.bestwayusa.com/ourwarranties>. You will be required to submit proof of purchase from an authorized seller. This warranty does not cover Products purchased as used or “second hand as is”. Bestway reserves the right to request additional information in order to process a warranty claim, including, but not limited to, Product serial numbers or photos of the Product or parts. You may also be required to the return of the Product or certain parts for additional testing or to otherwise assist in processing your claim.

There are no warranties which extend beyond those stated herein. ANY IMPLIED WARRANTIES THAT MAY BE APPLICABLE TO PRODUCTS, INCLUDING IMPLIED WARRANTIES OF MERCHANTABILITY OR FITNESS FOR A PARTICULAR PURPOSE, ARE LIMITED IN DURATION TO THE DURATION OF THE APPLICABLE EXPRESS WARRANTY PERIOD DESCRIBED HEREIN. UNDER NO CIRCUMSTANCES SHALL BESTWAY BE LIABLE FOR ANY SPECIAL, INCIDENTAL, OR CONSEQUENTIAL DAMAGES BASED UPON BREACH OF THIS LIMITED WARRANTY, BREACH OF CONTRACT OR STRICT LIABILITY. Some States do not allow limitations on how long an implied warranty lasts, or the exclusion or limitation of incidental or consequential damages, so the above limitations or exclusions may not apply to you.

This warranty gives you specific legal rights, and you may also have other rights which vary from State to State.

If you have any questions about whether a seller is authorized or any other questions regarding this warranty, the warranty period, the warranty claim process or the status of a warranty claim, please contact us through the form at <https://bestwayusa.com/support> or write us at: Bestway Customer Service – 3435 S. McQueen Road – Chandler, AZ 85286

We encourage you to visit <https://bestwayusa.com/ourwarranties>, where you can find additional information, which also includes a table listing our product categories and the associated warranty period.

Note: Warranty claims can be submitted online at <https://bestwayusa.com/registration-warranty> for faster service.



For additional product
information please visit
BestwayUSA.com



For support please visit us at:
bestwayusa.com/support

©2024 Bestway Inflatables & Material Corp. All rights reserved.

Trademarks used in some countries under license from / Manufactured by **Bestway Inflatables & Material Corp.**,
No. 208 Jin Yuan Wu Road, Shanghai, 201812, China (Tel: +86 21 69135588).

Represented in North America by **Bestway (USA) Inc.**, 3435 S. McQueen Road, Chandler, AZ 85286, United States of America.
www.bestwayusa.com