

# Bestway®

# HYDRIMUM™



©2022 Bestway Inflatables & Material Corp.

All rights reserved

Trademarks used in some countries under license from Bestway Inflatables & Material Corp., Shanghai, China

Exported by Bestway (Hong Kong) International Ltd./Bestway Enterprise Company Limited

Suite 713, 7/Floor, East Wing, Tsim Sha Tsui Centre, 66 Mody Road, Kowloon, Hong Kong

Distributed in North America by Bestway (USA) Inc., 3435 S. McQueen Road, Chandler, AZ 85286, United States of America

Tel: +86 21 69135588

[www.bestwayusa.com](http://www.bestwayusa.com)



# OWNER'S MANUAL



Visit the Bestway YouTube channel

## IMPORTANT SAFETY INSTRUCTIONS

### READ AND FOLLOW ALL INSTRUCTIONS.

- Carefully read, understand, and follow all information in this user manual before installing and using the pool.
- These warnings, instructions, and safety guidelines address some common risks of water recreation, but they cannot cover all risks and dangers in all cases. Always use caution, common sense, and good judgment when enjoying any water activity. Retain this information for future use. In addition, the following information can be supplied depending on the pool type.
- Safe keeping the instruction. If instruction is missing, search it in website [www.bestwayusa.com/support](http://www.bestwayusa.com/support).

### WARNING

Only for outdoor use.

Teach your children to swim.

Never dive, jump, or slide into the pool.

Adult supervision is always required.

Parents should learn CPR.

Never swim alone.

• Keep all electrical radios, speakers and other appliances away from the swimming pool.

• When you touch the filter, pump, or electrical parts, be sure the ground under your feet is "Bone Dry".

• All electrical outlets should have a GFCI and connections should be a minimum of 5 feet (1.52 m) from the outside perimeter of the wall of the pool. From 5–10 feet (1.52–3.05 m), there should be either a fixed connection (outlet box) or twistlock connection with a GFCI.

• Connect power cords to a 3-wire grounding-type outlet only.

• Keep all breakable objects out of the pool area.

• Alcohol consumption and pool activities do not mix. Never allow anyone to swim, dive or slide under the influence of alcohol or drugs.

• Severe electrical shock could result if you install your pump or filter on a deck. The pump or filter could fall into the water, causing severe shock or electrocution. Do not install on a deck or other surface at, above, or slightly below the top rail of the pool.

• Do not use the pool during severe weather conditions, i.e. electrical storms, tornadoes, etc.

• Be aware of overhead power lines when vacuuming your pool or using a telescoping pole.

• Do not allow diving, climbing, sitting, or standing on the top rails of the pools.

• Do not allow roughhousing and horseplay.

• Do not engage in extended breath holding activities underwater; you may black out and drown.

• Install a pool ladder(s) or staircase for entry and exit from the pool.

• Keep deck clean and clear of objects that may create a tripping hazard.

• Check regularly for signs of wear or loose bolts that could make the deck unsafe.

• Instruct pool users about the proper use of all pool ladder(s) and staircases.

• Face ladder going up or down.

• Allow only one person at a time on the ladder.

• Check all nuts and bolts regularly to ensure that the ladder stays sturdy.

• Remove or secure the ladder to prevent entry to pool when not in use.

• Please contact pool site dealer or manufacturer for additional safety signs if deemed necessary.

• For pool service, select a certified pool professional.

• Any equipment connected to the circulation systems shall be positioned so as to prevent their being used as a means of access to the pool by young children.

• The installation must comply with the codes of the authority having jurisdiction and may require permits for building, plumbing electrical, zoning, etc.

• The pool shall be located a minimum distance of 6 ft (1.83 m) from any electrical receptacle.



- All 125 volt, 15 and 20 ampere receptacles located within 20 ft (6 m) of the pool shall be protected by a ground fault circuit interrupter (GFCI). The 20 ft (6 m) distance is measured via the shortest straight line distance the supply cord would follow without piercing a floor, wall, ceiling, doorway, window, or other permanent barrier.
  - Prior to use of the pool, the installer shall affix all no diving signs and safety signs in accordance with installation instructions so they can be easily visible.
  - A barrier is necessary to provide protection against potential drowning and near drowning and that barriers are not a substitute for the constant supervision of children.
  - A list of emergency telephone numbers shall be posted, such as the nearest available police, fire, ambulance, and/or rescue unit. These numbers are to be kept near the telephone that is closest to the pool.
  - Toys, chairs, tables, or similar objects that a young child could climb shall be at least 4 feet (1219 mm) from the pool. If deck is used by the installer, it will need to comply with APSP-8.
  - Basic lifesaving equipment, including one of the following, shall be on hand at all times: a. A light, strong, rigid pole (shepherd's crook) not less than 12 ft (3.66 m) long. b. A minimum ¼ in. (6 mm) diameter rope as long as 1½ times the maximum width of the pool or 50 feet (15.24 m), whichever is less, which has been firmly attached to a Coast Guard-approved ring buoy, or a similarly approved flotation devices.
  - The swimming pool cover is not designated as a safety barrier.
  - Please use artificial lighting during nighttime pool use, to illuminate all safety signs, ladders, steps, deck surfaces and walks. The pool is subject to wear and deterioration. If not maintained properly, certain types of excessive or accelerated deterioration can lead to failure of the pool structure that might release large quantities of water that could cause bodily harm and property damage.
  - The bottom of the pool shall be visible at all times from the outside perimeter of the pool.
  - The installer of the vinyl liner shall affix on the original or replacement liner, or on the pool structure, all safety signs in accordance with the manufacturer's instructions. If have a filter pump, refer to the pump's manual for instructions.
  - The ladder shall be located on a solid base and the ladder shall be installed per the ladder's instructions.
  - Publications are available that describe the risk of drowning, entrapment, and diving accidents.
  - Available publications related to pool safety include the Association of Pool and Spa Professionals' (APSP) booklets entitled: The Sensible Way to Enjoy Your Aboveground/Onground Swimming Pool, Children Aren't Waterproof, Pool and Spa Emergency Procedures for Infants and Children, Layers of Protection, and the latest published edition of ANSI/APSP-8 Model Barrier Code for Residential Swimming Pools, Spas, and Hot Tubs.
- For additional safety information, see [www.APSP.org](http://www.APSP.org).

Please read carefully and keep for future reference.

## PRE-SETUP

### CHECK LIST

To check the parts included in the box, consult the parts list in this manual. Verify that the equipment components represent the model that you had intended to purchase. In case of any damaged or missing parts at the time of purchase, visit our website [bestwayusa.com/support](http://bestwayusa.com/support).

### CHOOSE THE CORRECT LOCATION

The surface chosen to install the pool must respect the following technical characteristics:

- Because of the combined weight of the water inside the pool and the pool users, it is extremely important that the surface chosen to install the pool is capable of uniformly supporting the total weight for the entire time the pool is installed. When choosing the surface, take into consideration that water may come out of the pool when in use or in the rain. If the water softens the surface, it may lose its capability to support the pool weight.
- The surface must be flat and smooth. If the surface is inclined or uneven, it can create an unbalanced loading on the structure of the pool. This situation can damage the welding point of the liner damage the steel wall and bend the frame. In the worst cases, the pool can collapse, causing serious personal injury and/or damage to personal property.
- We recommend positioning the pool away from any objects children could use to climb into the pool.
- Position the pool near an adequate drainage system to deal with overflow or to discharge the pool. Ensure the pool side with the water inlet A and outlet B is located in the same direction of the power source, where the filtration system has to be connected.
- The selected surface must be clear of any type of object. Due to the weight of the water, any object under the pool could damage or perforate the bottom of the pool.
- The selected surface must be clear of aggressive plants and weed species. Those types of strong vegetation could grow through the liner and create water leakage. The grass or other vegetation that may cause odor or slime to develop have to be eliminated from the set-up location.
- The selected location must not have overhead power lines or trees. Be sure the location does not contain underground utility pipes, lines or cables of any kind.
- The selected position must be far from house entrance. Do not position any equipment or other furniture around the pool. The water that overflows from the pool during use or due to a faulty product can damage inside of a house or any furniture surrounding the pool.
- **Suggested set-up surfaces:** grass, ground, concrete, and all other surfaces that respect the above set-up conditions. **Avoid these surfaces:** mud, sand, gravel, deck, balcony, driveway, platform, soft/loose soil or other surface that does not meet the above set-up conditions.
- Check with your local city council for by-laws relating to fencing, barriers, lighting and safety requirements and ensure you comply with all laws.

- If a pump and/or ladder is included in the set, refer to the pump's and/or ladder's manual for safety instructions and installation. The ladder must match the pool size.
- If the installation is complete and you must move the item, be careful not to damage the wall and do not drag the liner on the ground. The friction between the material and the ground can damage the liner.
- **Follow the important instructions above to choose the correct surface and location to set up your pool. Damaged parts of the pool, due to improper set up and location, will not be considered a manufacturer defect and will void the warranty and any service claims.**

## INSTALLATION

### ASSEMBLING

- For the installation follow the instruction below. The drawings are for illustration purposes only. May not reflect actual product. Not to scale.
  - Installation usually takes approximately 2.5 hours with 2-3 people excluding ground work prep and filling with water.
- Tools Required (not included):**



- Bestway will not be responsible for damage caused to the pool due to mishandling or failure to follow these instructions.
- We strongly suggest to open the package and to assemble the pool when the environment temperature is above 15 degrees; the PVC material of the liner will become more flexible and easier to assemble.
- Before connecting valve to the pool, fill the pool leaving 5 - 6 cm of space between the position of the connection valve and water surface.
- Never permanently install the connection valve before the water is within a few centimeters of them because the liner has to be properly taut from the pressure of the water.
- Be careful of any splinters or sharp edges when cutting the pool.
- Cutting more liner than necessary will damage and void the pool liner, so please trim with extra care.

### FILLING POOL WITH WATER

- Do not leave pool unattended while filling with water.
- Fill the pool with water after all assembly steps are completed and until the water reaches 6 in / 15 cm from to the top rail, which corresponds to 90% of the full capacity.
- Do not overfill as this could cause the pool to collapse. In case of heavy rainfall, we strongly recommend to reduce the water level to keep 90% of full capacity, to avoid overflowing of water.
- When the pool is completely filled, check that the distance between the water surface and the top of the rails is the same all around; in case it is different, it means that the floor is not level so we strongly recommend to draining the water and leveling the ground again.
- Keeping the pool full of water on uneven ground can cause burst of welding points and/or pool collapse, causing serious personal injury and/or damage to property.

## MAINTENANCE

If you do not adhere to the maintenance guidelines below, your health might be at risk, especially that of your children.

### WATER

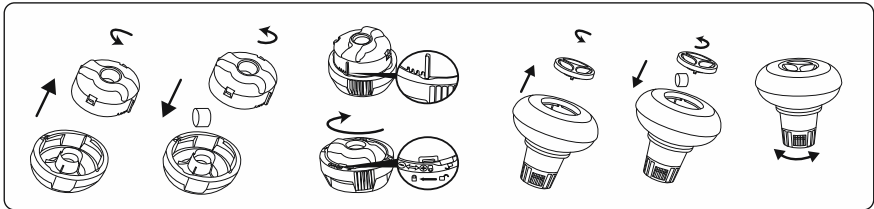
- Keeping your pool water clean and chemically balanced is necessary. Simply cleaning the filter cartridge is not enough for proper maintenance, we recommend you use pool chemicals to maintain water chemistry and chlorine or bromine tablets (do not use granules) with the chemical dispenser.
- Water quality will be directly related to frequency of use, number of users and overall maintenance of the pool. The water should be changed every 3 days if there is no chemical treatment being performed with the water. It is highly recommended to use tap water for filling to minimize the influence of unwanted content, such as minerals.
- We recommend to take a shower before using your pool, as cosmetic products, lotions, and other residues on the skin can quickly degrade water quality. To use the chemical dispenser, follow the instructions in the leaflet.
- If you do not adhere to the maintenance guidelines below, your health might be at risk, especially that of your children.
- Skim pool regularly to avoid settled dirt.
- Locate a bucket of water next to pool to clean users' feet before entering pool.
- The chemical maintenance must be performed with Chemconnect or chemical floater; don't throw chemical products directly in the water, the chemical will deposit on the bottom and damage the material and discolor the PVC.
- Your purchased pool set may not include any of those dispensers; in this case you can purchase it by visiting our website [www.bestwayusa.com](http://www.bestwayusa.com) or at the nearest pool dealer.

### Chemical Tablets (Not Included):

- Remove the chemical dispenser from pool when the pool is in use.
- After performing chemical maintenance and before using the pool, use a test kit (not included) to test the water's chemical balance. We recommend maintaining your water's chemical balance as follows:

TEST	IDEAL VALUES
pH value	7.4 – 7.6
Cyanuric acid	30 – 50 ppm
Free chlorine	2 – 4 ppm
Chlorine compound	0
Algae	None visible
Calcium hardness	200 – 400 ppm

- Pool damage resulting from misuse of chemicals and mismanagement of pool water is not covered by the warranty.
- Over usage of chemical will discolor the printing and all points of the pool material; in worse case it will damage the structure of the pool liner.
- Pool chemicals are potentially toxic and should be handled with care. There are serious health risks from chemical vapors and the incorrect labeling and storage of chemical containers.
- Please consult your local pool or chemical supply retailer for more information about chemical maintenance. Pay close attention to the chemical manufacturer's instructions.
- The pump is used to circulate the water and to filter small particles. In order to keep your pool water clean and hygienic, you must also add chemicals.



### LINER

- Cover the pool when not in use, to prevent any damage to the material on the top rails. Gently clean any dirt deposit on the top rails with a clean cloth.

## DISASSEMBLY AND STORAGE

### DRAINING

- To drain the pool, follow the instruction below. Drawings are for illustration purposes only. May not reflect actual product. Not to scale.
- To drain your pool water, check local regulations for drainage by-laws.

### CLEANING

- Rinse the pool liner with tap water, to remove completely any residual of chemical or dirt.
- Leave the pool under the sunlight until it's completely dried.
- To remove completely the remaining water, wipe the pool liner with a dry cloth.

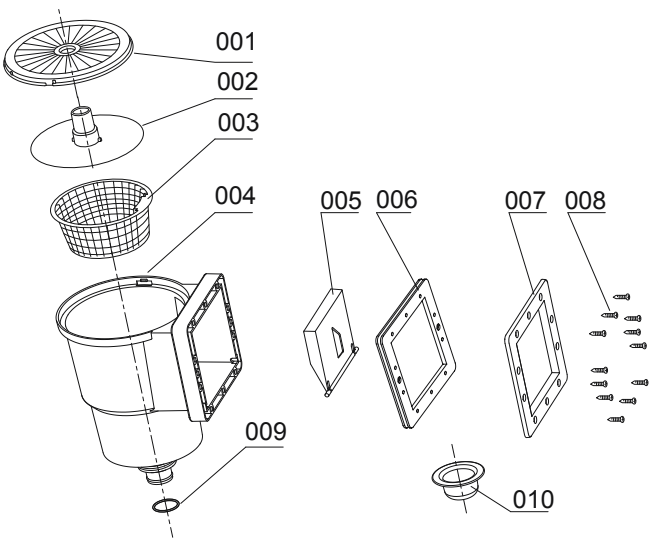
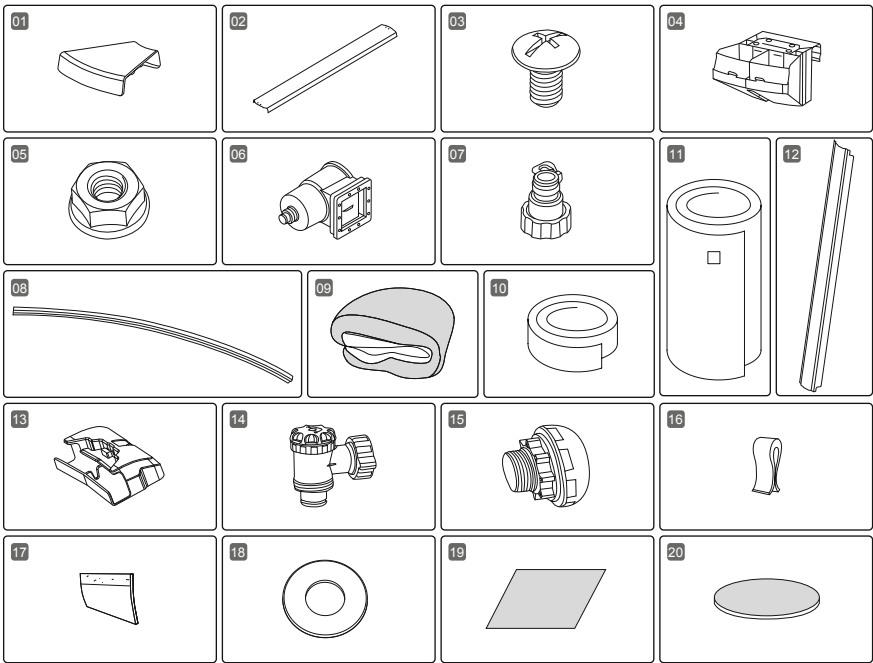
### STORAGE

- Remove all accessories; be sure that pool liner, cover, pump and accessories are completely clean and dry before the storage. If the pool is not completely dry, mold may result and will damage the pool liner during the storage period.
- We strongly recommend to disassemble the pool when the environment temperature is below 10°C.
- Fold the pool liner only if the environment temperature is above 10°C / 50°F. Store the pool in a dry place with a moderate temperature between 10°C / 50°F and 38°C / 100°F and position the pool liner and all accessories inside a carton box, to better protect the PVC material during the winter period.

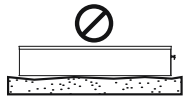
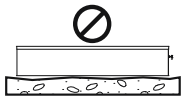
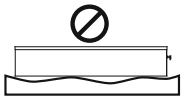
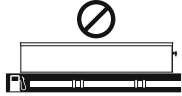
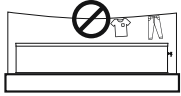
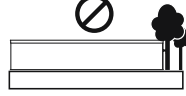
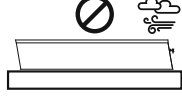
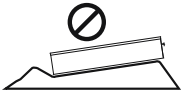
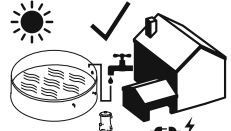
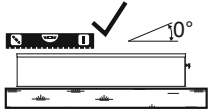
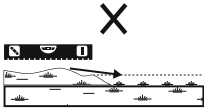
### REPAIR

In the event of a leak, patch your pool using the underwater adhesive repair patch provided. You can find the instructions in FAQs on the support section of our website, [www.bestwayusa.com/support](http://www.bestwayusa.com/support).

16 ft. x 52 in. (4.90 m x 1.30 m) 256003000131	01	02	03	04	05	06	07	08	09	10	11	12	13	14	15	16	17	18	19	20
	x11	x11	x94	x11	x28	x1	x2	x22	x1	x1	x1	x11	x11	x1	x1	x30	x11	x44	x1	x1
18 ft. x 52 in. (5.50 m x 1.30 m) 256003000133	01	02	03	04	05	06	07	08	09	10	11	12	13	14	15	16	17	18	19	20
	x12	x12	x100	x12	x28	x1	x2	x24	x1	x1	x1	x12	x12	x1	x1	x30	x12	x48	x1	x1



06	001	002	003	004	005
	x1	x1	x1	x1	x1
	006	007	008	009	010
	x1	x1	x12	x1	x1



1

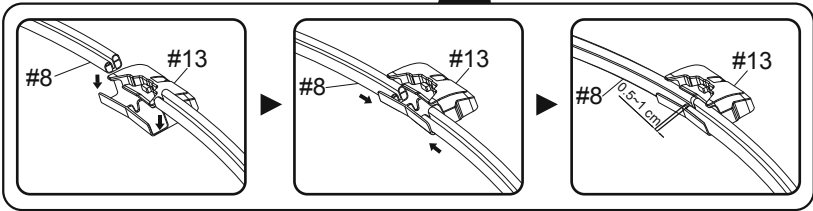
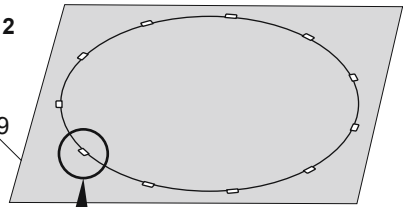


#19

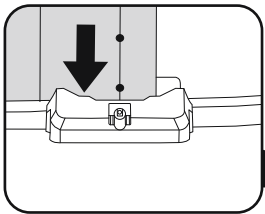


2

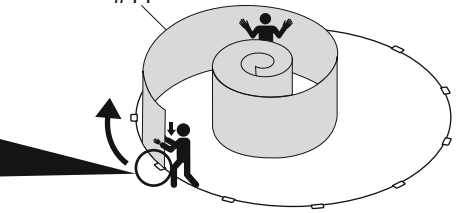
#19



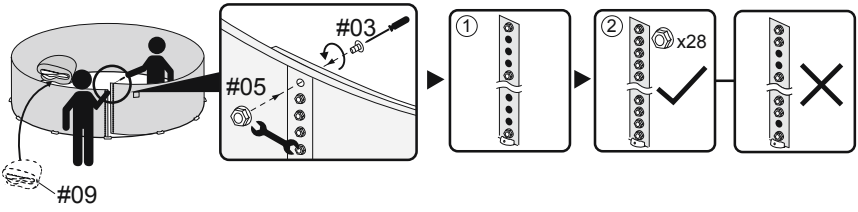
3



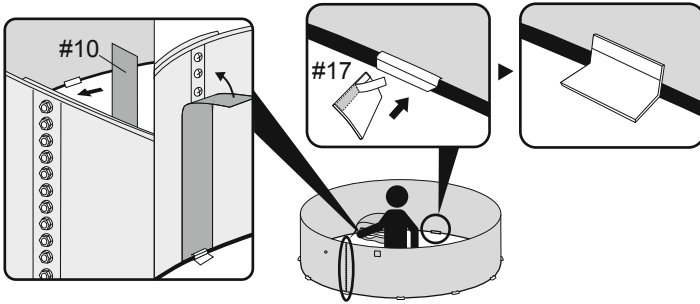
#11



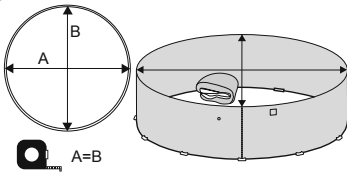
4



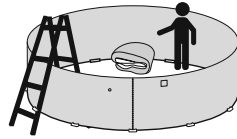
5



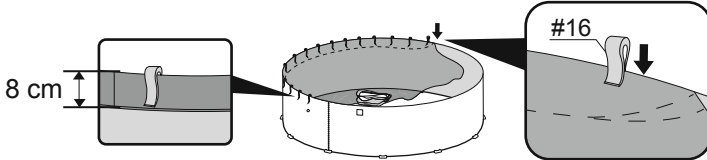
6



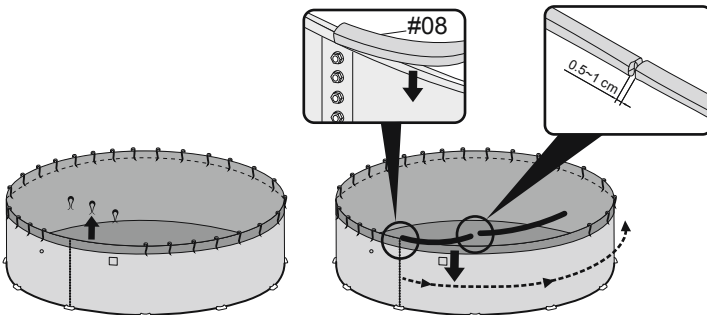
7



8

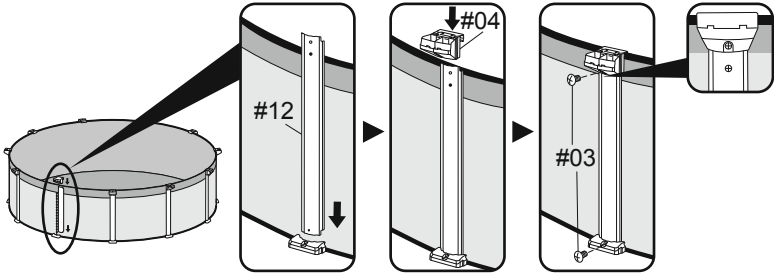


9

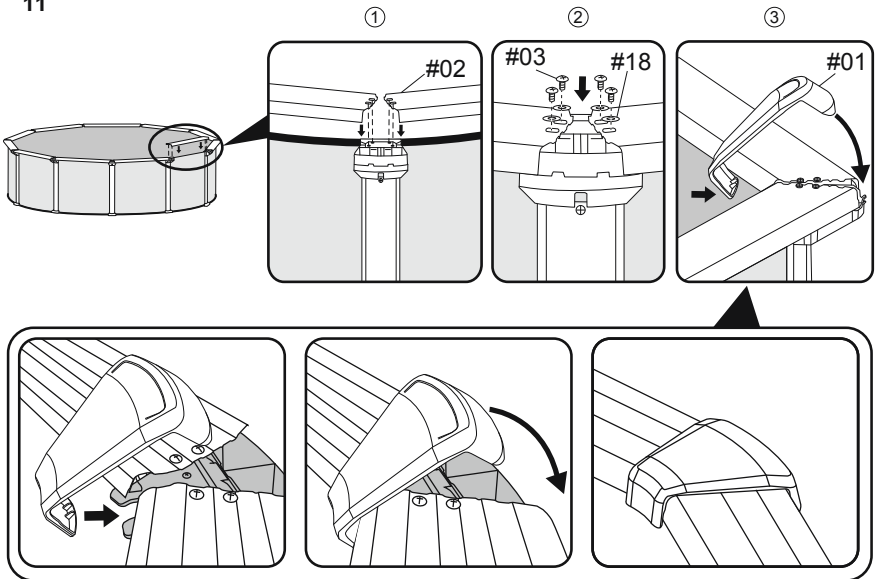




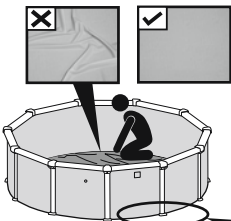
10



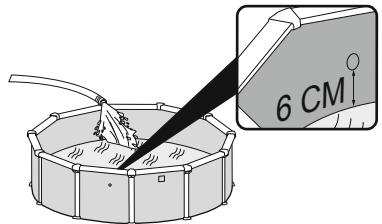
11



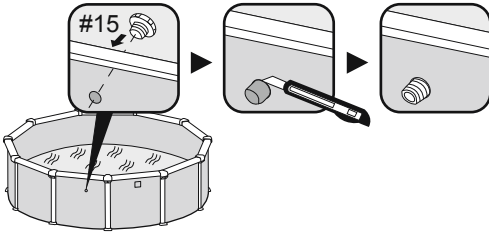
12



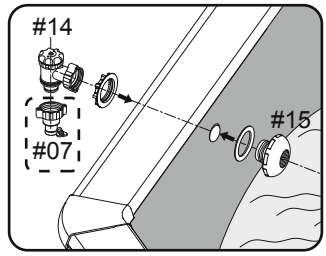
13



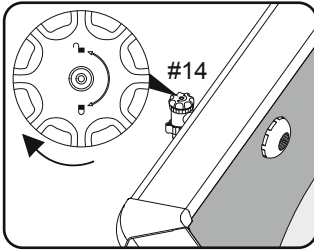
14



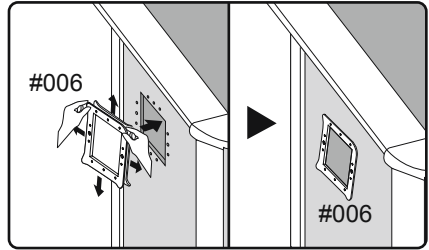
15



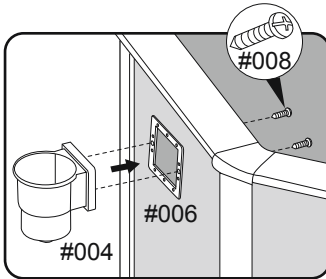
16



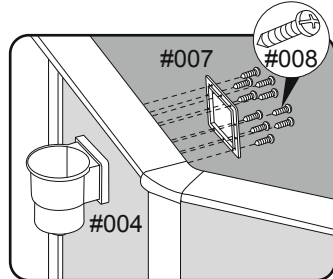
17



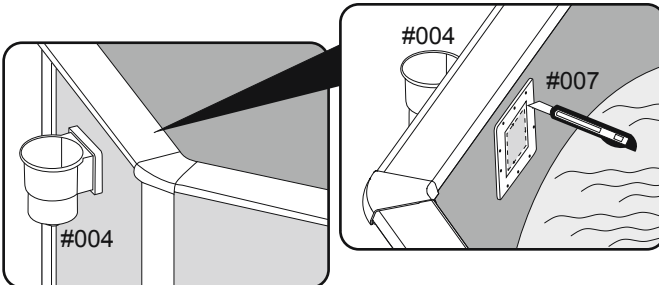
18



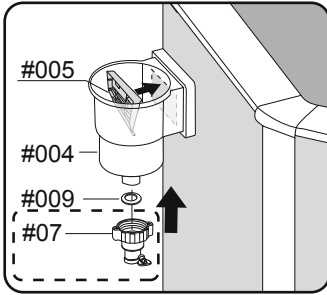
19



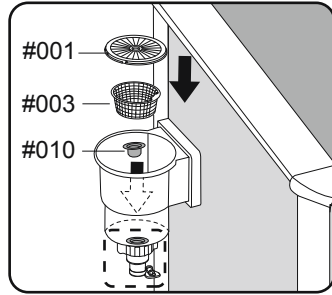
20



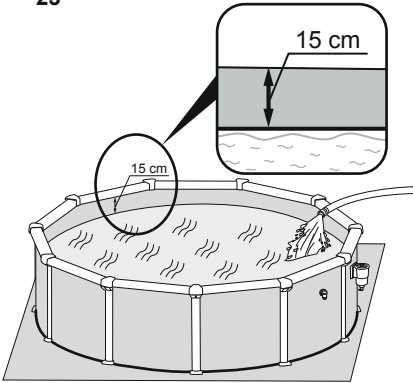
21



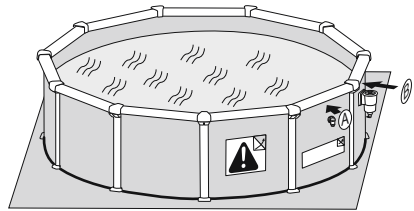
22



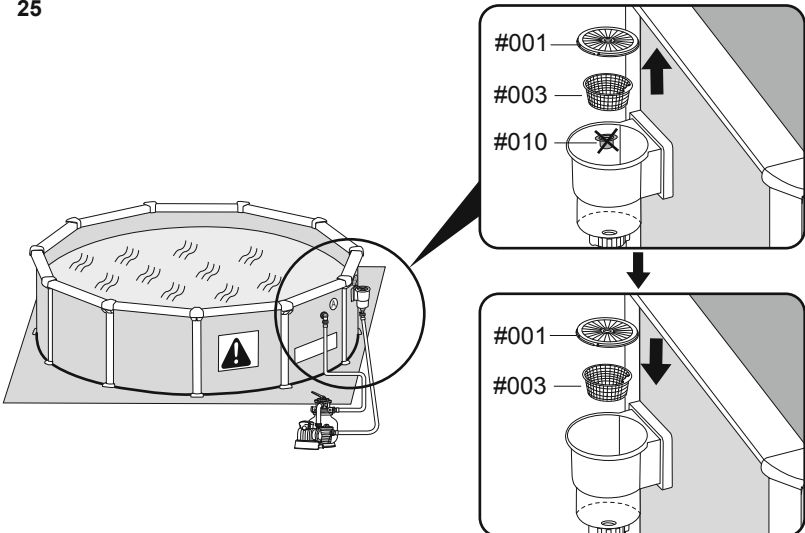
23



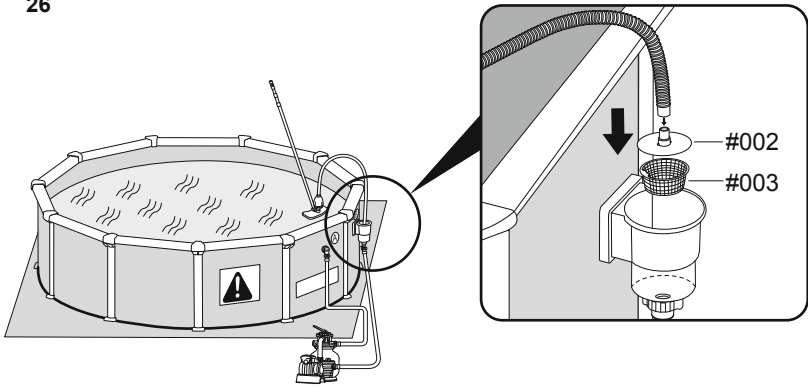
24



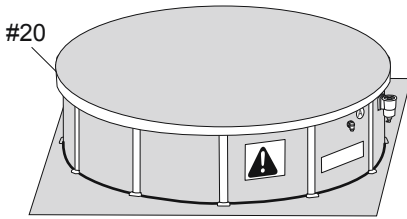
25



26



27



28

