

# Bestway®



[bestwayusa.com/ourwarranties](https://bestwayusa.com/ourwarranties)





# OWNER'S MANUAL

## 58766E



Visit the Bestway YouTube channel

## IMPORTANT SAFETY INSTRUCTIONS

### WARNING

When installing and using this electrical equipment, basic safety precautions should always be followed, including the following:

### • READ AND FOLLOW ALL INSTRUCTIONS.

**WARNING -To reduce the risk of injury, do not permit children to use this product unless they are closely supervised at all times.**

- Ensure that children do not attempt to access cleaner while it is operating.
- The unit must be connected only to a supply circuit that is protected by a ground-fault circuit-interrupter(GFCI). This GFCI should be tested on a routine basis. To test the GFCI, push the test button. The GFCI should interrupt power. Push the reset button. Power should be restored. If the GFCI fails to operate in this manner, the GFCI is defective. If the GFCI interrupts power to the power unit without the test button being pushed, a ground current may be flowing, indicating the possibility of an electric shock. Do not use the power unit. Disconnect the power unit and contact the manufacturer for assistance.

### • SAVE THESE INSTRUCTIONS.

- This device complies with part 15 of the FCC Rules. Operation is subject to the following two conditions:(1) This device may not cause harmful interference, and (2) this device must accept any interference received, including interference that may cause undesired operation.

**Warning:** Any changes or modifications to this unit not expressly approved by the party responsible for compliance could void the user's authority to operate the equipment.

**NOTE:** This equipment has been tested and found to comply with the limits for a Class B digital device, pursuant to part 15 of the FCC Rules. These limits are designed to provide reasonable protection against harmful interference in a residential installation. This equipment generates, uses and can radiate radio frequency energy and, if not installed and used in accordance with the instructions, may cause harmful interference to radio communications. However, there is no guarantee that interference will not occur in a particular installation. If this equipment does cause harmful interference to radio or television reception, which can be determined by turning the equipment off and on, the user is encouraged to try to correct the interference by one or more of the following measures:

- Reorient or relocate the receiving antenna.
- Increase the separation between the equipment and receiver.
- Connect the equipment into an outlet on a circuit different from that to which the receiver is connected.
- Consult the dealer or an experienced radio/TV technician for help.

## ASSEMBLY AND OPERATION

- The robot will stop during use in the following pool conditions:
  - The bottom of the pool is folded
  - The pool was installed on uneven, unlevel or bumpy ground

If the bottom has a large amount of debris, it is recommended to empty the basket after 10 minutes of use to optimize the robot's performance.

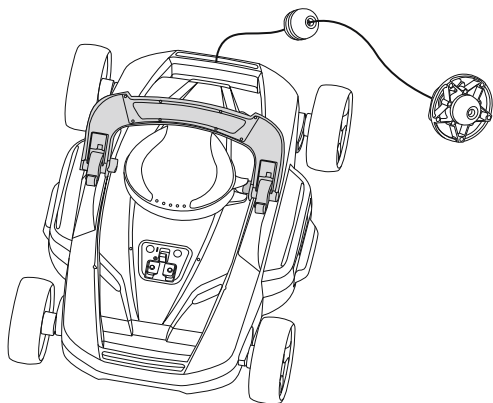
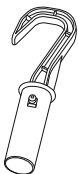
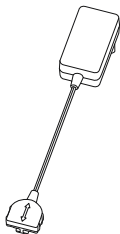
- Use only the original external adaptor and provided charging cable.
- Make sure the robot and the charger port are clean and dry before charging.
- Make sure that the robot is turned off by sliding the switch to the OFF position prior to charging.
- Fully charge the robot (about 5-6 hrs) before using it for the first time.
- Power Indicator light:
  - No Light: Switch is off, or battery is empty.
  - Green Light: Robot is running.
  - Blinking Green Light: Switch is on but the robot is out of the water.
  - Blinking Red Light: Battery will be empty in 10 minutes.
- When the robot starts charging, the indicator light will blink red. When the robot is fully charged, the indicator light will turn green.
- To adjust the float length, release enough rope from the float to cover the depth of pool water plus about 19.7 in (0.5 m).
- If float is too far to be retrieved by hand, use the provided hook. Place the hook on a telescopic pole (not included) and then use the hook to retrieve the float.
- It's advised to turn off the filtration system as water circulation in the pool may affect the robot's movement pattern.
- Remove the pool ladder, surface skimmer and other floating objects from the pool, as it may obstruct the movement of the robot's float and, consequently, also the movement of the robot.
- If you are using a saltwater pool, make sure all salt is dissolved before placing the robot into the water.

## MAINTENANCE AND STORAGE

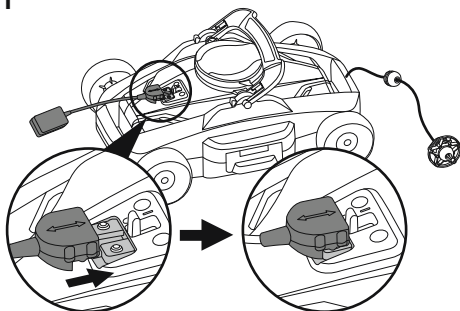
- Battery will lose charge during storage. Make sure to fully-charge the robot before storage.
  - You must re-charge the battery at least once every three months when it is not in use.
  - Unplug the external adaptor from the socket and then unplug the charging cable from the external adaptor and robot.
  - Detach accessories from the robot. If necessary, rinse the robot and accessories with fresh water. DO NOT use detergent.
  - Be sure to drain the water from the robot before storing it.
  - Use a damp cloth to clean and dry the robot and its accessories.
  - We strongly recommend disassembling the product during the off-season (winter months) and storing it in a dry place with a moderate temperature between 10°C/50°F and 38°C/100°F.
- NOTE: A higher storage temperature may reduce the battery life.

## TROUBLESHOOTING

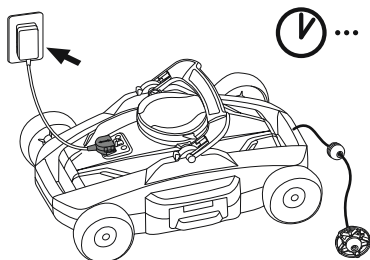
Problem	Probable Cause	Solution
The robot cannot capture debris, or it moves slowly or does not move at all.	Low battery.	Charge the robot.
	The debris compartment is filled, or the debris screen is blocked.	Clean the debris compartment or the debris screen.
	The impeller is stuck or broken.	For assistance, please visit the support section on our website, <a href="http://www.bestwayusa.com">www.bestwayusa.com</a> .
The robot stops moving, but the swivel head is still rotating.	The debris compartment is filled, or the debris screen is blocked.	Clean the debris compartment or the debris screen.
	The robot is jammed by debris on the bottom.	Check and remove any debris.
The swivel head does not work or cannot stop working.	The swivel head is stuck.	Check and remove any debris that is trapped under the swivel head or the rotating robot head.
	The swivel head fails to work.	For assistance, please visit the support section on our website, <a href="http://www.bestwayusa.com">www.bestwayusa.com</a> .
	The flapper is stuck.	Check and remove any debris that hinders the movement of the flapper.
The robot works around the pool wall and cannot cover the whole pool.	The debris compartment is filled, or the filter is blocked.	Clean the debris compartment or the filter.
	Improper locking adjustment position.	Follow Step 3 in the diagrams for proper locking adjuster position.
The robot fails to charge.	The battery is damaged.	For assistance, please visit the support section on our website, <a href="http://www.bestwayusa.com">www.bestwayusa.com</a> .
	The charger is jammed by debris.	Check and clean any debris.
	The adapter does not work.	For assistance, please visit the support section on our website, <a href="http://www.bestwayusa.com">www.bestwayusa.com</a> .



1

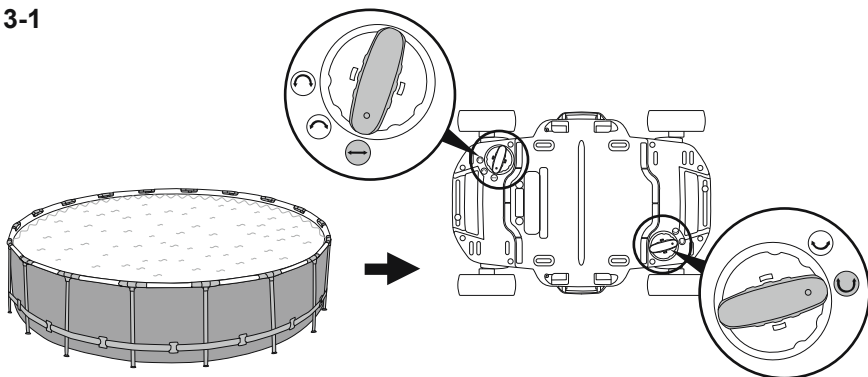


2

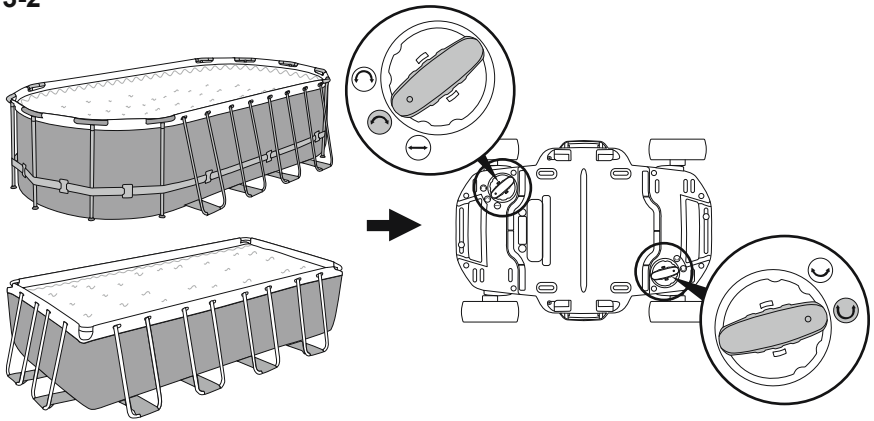


3

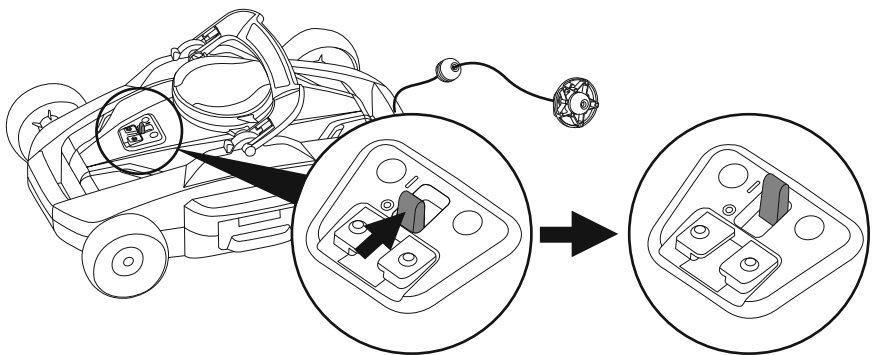
3-1



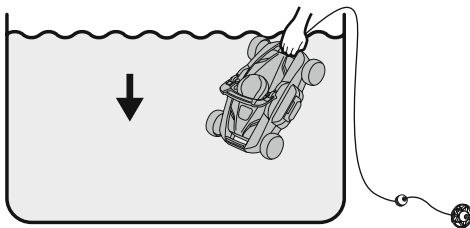
3-2



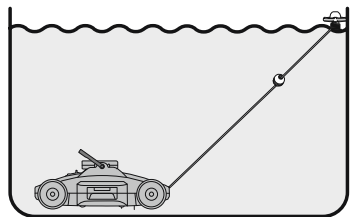
4



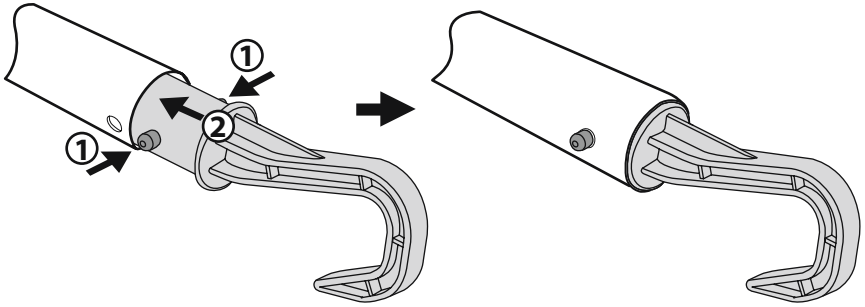
5



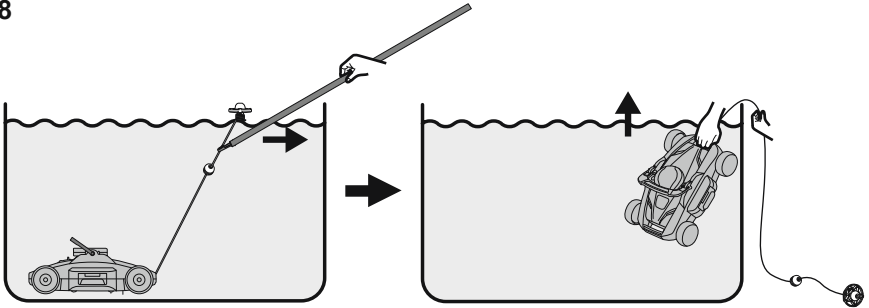
6



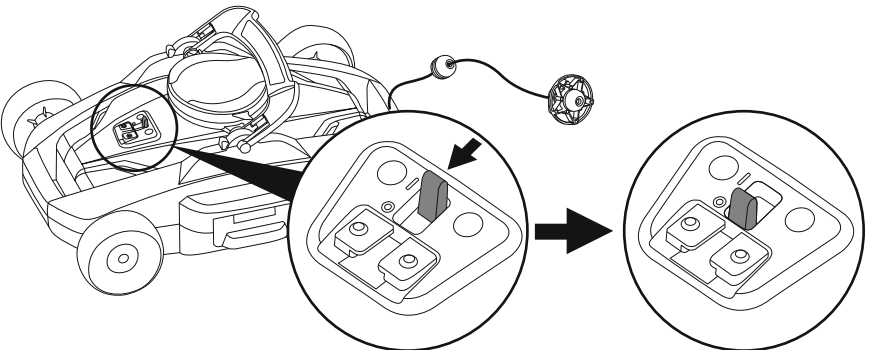
7



8

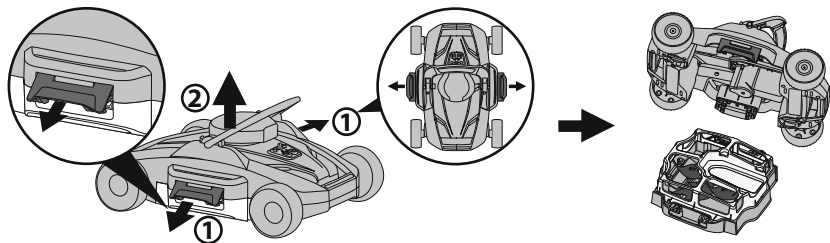


9

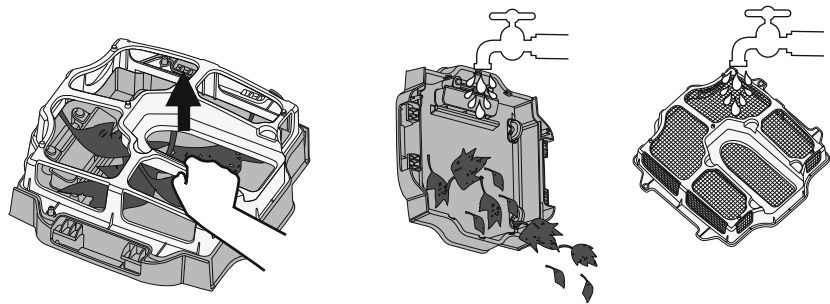




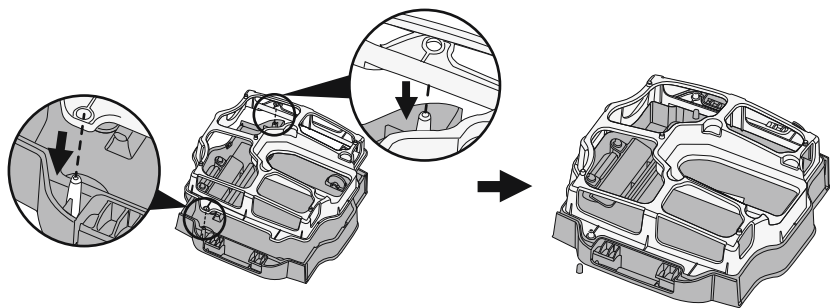
1



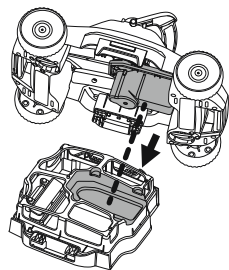
2



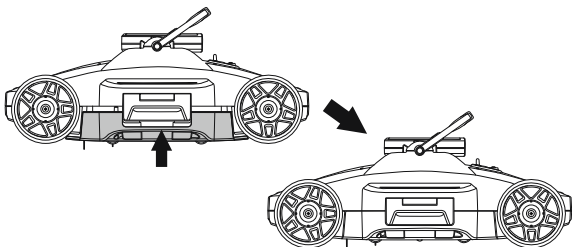
3



4



5





For support please visit us at:  
[bestwayusa.com/ourwarranties](https://www.bestwayusa.com/ourwarranties)

©2023 Bestway Inflatables & Material Corp.

All rights reserved

Trademarks used in some countries under license from **Bestway Inflatables & Material Corp., Shanghai, China**

Exported by **Bestway (Hong Kong) International Ltd./Bestway Enterprise Company Limited**

**Suite 713, 7/Floor, East Wing, Tsim Sha Tsui Centre, 66 Mody Road, Kowloon, Hong Kong**

Distributed in North America by **Bestway (USA) Inc., 3435 S. McQueen Road, Chandler, AZ 85286, United States of America**

Tel: +86 21 69135588

[www.bestwayusa.com](https://www.bestwayusa.com)