

Bestway[®]

58705E

www.bestwayusa.com

OWNER'S MANUAL

Please read and keep these instructions carefully before using it.

WARNING

READ AND FOLLOW ALL INSTRUCTIONS

SAVE THESE INSTRUCTIONS

The light source of this luminaire is not replaceable; when the light source reaches its end of life the whole luminaire shall be replaced.

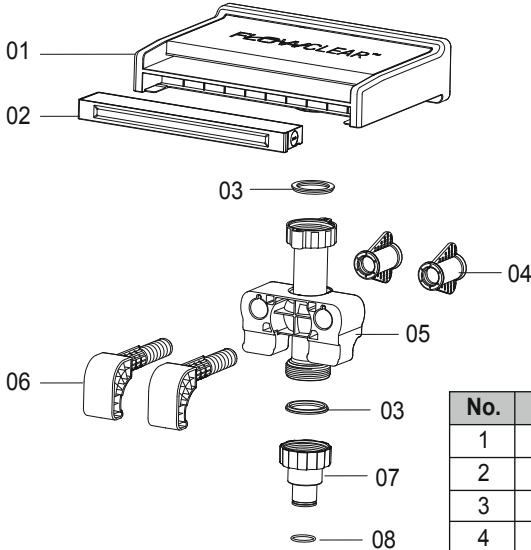
Use only under competent supervision.

Battery Precaution

- Do not mix old and new batteries.
- Do not mix the different types of batteries. Do not mix alkaline, standard (Carbon - Zinc), or rechargeable (Nickel - Cadmium) batteries.
- Ensure batteries are installed correctly with regard to polarity (+ and -).
- Do not short-circuit the battery.
- Never attempt to recharge primary batteries as this may cause leakage, fire, or explosion.
- Rechargeable batteries are to be removed from this product before being charged.
- Rechargeable batteries are only to be charged under adult supervision.
- Never attempt to disassemble or open batteries as this can lead to electrolyte burns.
- Remove batteries from equipment which is not to be used for an extended period of time.
- Exhausted batteries are to be removed from this product.
- Do not dispose of product and its batteries in fire. Check your local regulations for proper disposal instructions.
- Batteries shall not be exposed to excessive heat such as sunshine, fire or the similar.
- Only use AA batteries (not included).
- This device complies with part 15 of the FCC Rules. Operation is subject to the following two conditions:
 - (1) This device may not cause harmful interference, and (2) this device must accept any interference received, including interference that may cause undesired operation.
- Warning: Any changes or modifications to this unit not expressly approved by the party responsible for compliance could void the user's authority to operate the equipment.
- NOTE: This equipment has been tested and found to comply with the limits for a Class B digital device, pursuant to part 15 of the FCC Rules. These limits are designed to provide reasonable protection against harmful interference in a residential installation. This equipment generates, uses and can radiate radio frequency energy and, if not installed and used in accordance with the instructions, may cause harmful interference to radio communications. However, there is no guarantee that interference will not occur in a particular installation. If this equipment does cause harmful interference to radio or television reception, which can be determined by turning the equipment off and on, the user is encouraged to try to correct the interference by one or more of the following measures:
 - Reorient or relocate the receiving antenna.
 - Increase the separation between the equipment and receiver.
 - Connect the equipment into an outlet on a circuit different from that to which the receiver is connected.
 - Consult the dealer or an experienced radio/ TV technician for help.

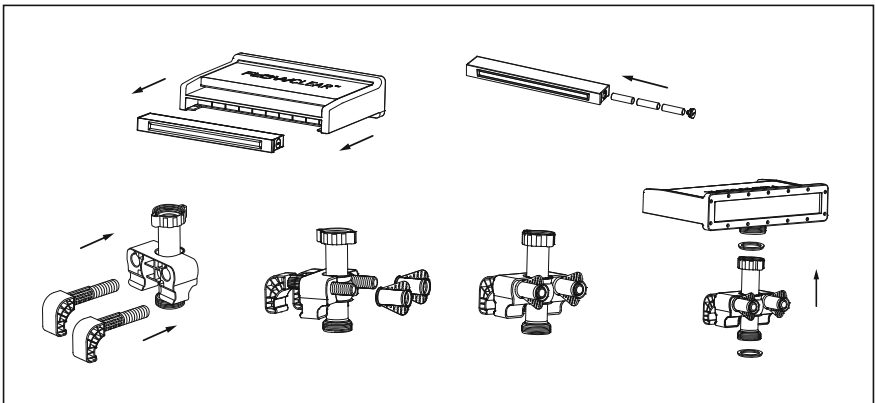
Technical Specification

Item NO.	Name	Voltage	Rate	IP Grade	Battery	Compatibility
58705E	Soothing LED Waterfall	DC 4.5 V	0.5 W	IP 67	3 X AA (Not Included)	530-3000 gal pump



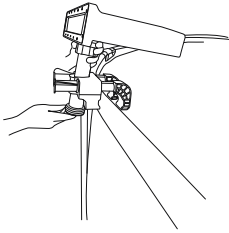
No.	Description	QTY
1	Shower nozzle	1
2	LED	1
3	Gasket seal	2
4	Nuts	2
5	Fixed part	1
6	Screws	2
7	Adaptors for $\phi 32$ mm hose	1
8	Seal ring	1

Assembly

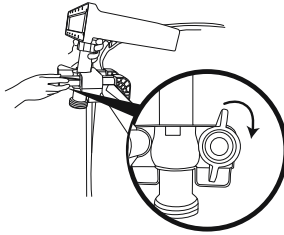


Installation

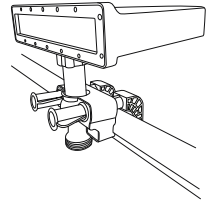
1



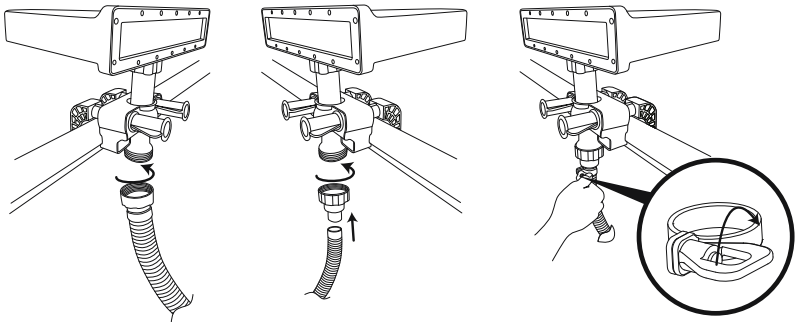
2



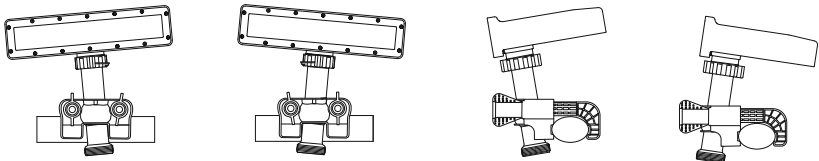
3



4



Adjust the position



Important: For setup or in case of maintenance

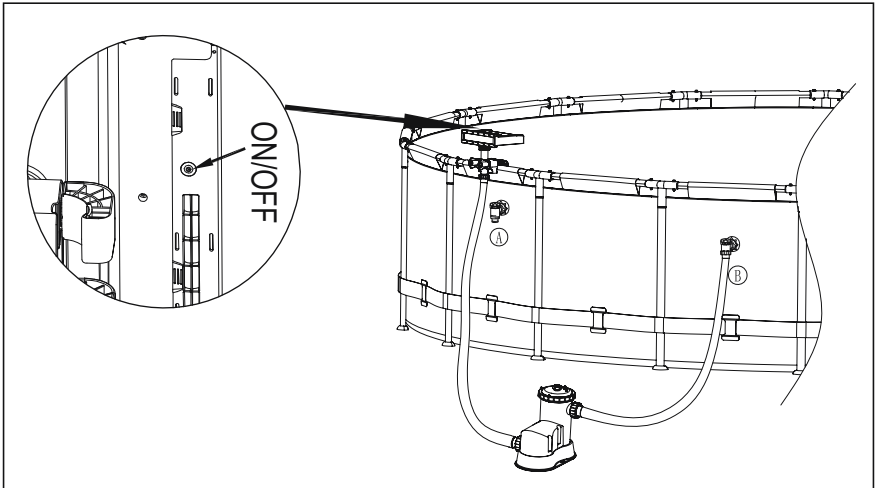
1. Turn the filtration system off, then turn off or block the water valve.

Warning: Please check whether the seal rings have been fixed on the connection to the water hose.

Important: Perform the air purge operation for the filtration system after the first setup and after any maintenance. For more details, refer to the filtration system instruction manual.

2. Lighting function: The waterfall is equipped with LED lights.

- Press the power button and the LED light turns on with 7 colors alternating.
- Press the power button again, the LED will be locked in one color.
- Every time press the power button, the light of the color will be changed and locked.
- Long press the power button, LED light turns off (2 hours auto power-off feature on the product).



Maintenance and Storage

1. Store in a dry place when not in use.
2. Please remove the batteries if not in use for a long time.
3. Use a dry cloth to clean the product.
4. Do not drop the product or it may break.

Bestway®

©2022 Bestway Inflatables & Material Corp.

All rights reserved

Trademarks used in some countries under license from **Bestway Inflatables & Material Corp., Shanghai, China**

Exported by **Bestway (Hong Kong) International Ltd./Bestway Enterprise Company Limited**

Suite 713, 7/Floor, East Wing, Tsim Sha Tsui Centre, 66 Mody Road, Kowloon, Hong Kong

Distributed in North America by **Bestway (USA) Inc., 3435 S. McQueen Road, Chandler, AZ 85286, United States of America**

Tel: +86 21 69135588

www.bestwayusa.com